

**BATTERY AND CHARGER SYSTEM**

**BATTERY SPECIFICATIONS**

**Battery**

Lithium  
26 AH

**Charge Time:**

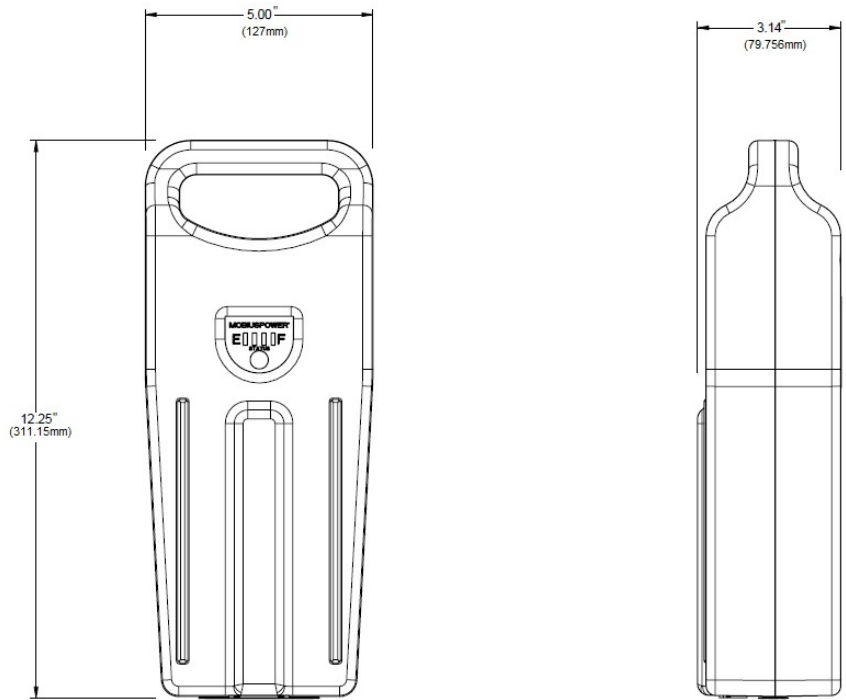
26 AH < 4 hrs

**Weight**

5.5 lbs [2.49kg] per battery

**CERTIFICATIONS**

IEC 62133 2nd Edition • UN 38.3



**POWER SYSTEM TECHNICAL SPECIFICATIONS**

**MobiusPower® 2 Channel Power System**

Channel 1 Variable 12-24 VDC  
Channel 2 Variable 5-12 VDC

**MobiusPower® 4 Channel Power System**

Channel 1 Variable 12-24 VDC  
Channel 2 Variable 5-12 VDC  
Channel 3 Variable 12-24 VDC  
Channel 4 Variable 5-12 VDC

**OPTIONAL HOLSTER CHARGING**

**External Power Supply**

Input 100-240V  
Output 132W Max

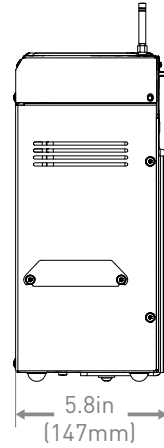
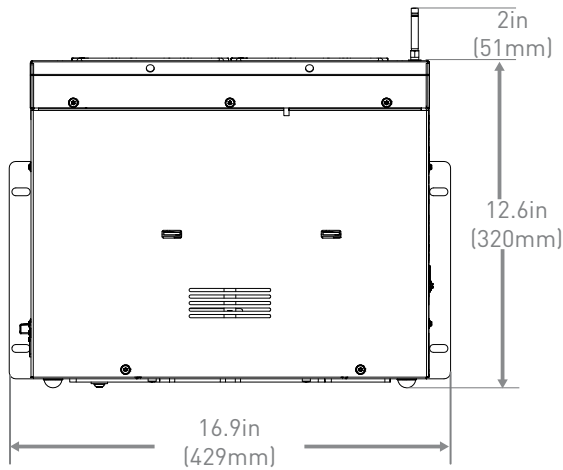
**Holster Charging**

Output 51W Max  
Charge Time < 8 Hours

**WORKSTATION AND HOLSTER CERTIFICATIONS**

IEC 60601-1

**DualPack**



**Electrical**

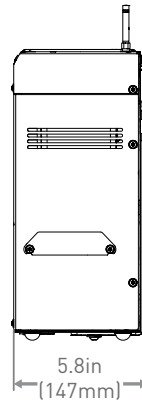
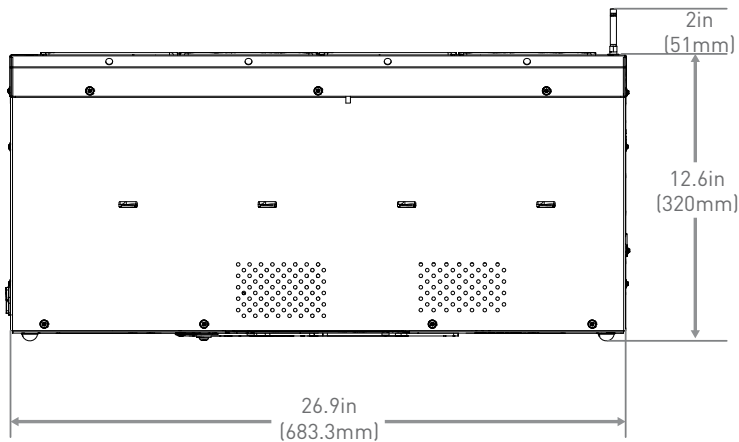
Voltage Input: 115 VAC  
 Power Outlet, Mains: NEMA 5-15R  
 Power Inlet, Charger: IEC 320 C14  
 Required Cord Set for North America: IEC 320 C13 to NEMA 5-15P  
 15 AMP 5 x 20mm Glass Fuse  
 3.6 Amp input

**Weight**

Weight w/o Batteries 10.2 lbs\* (4.6kg)  
 Weight w/ Batteries 21.2 lbs\* (9.6kg)

\* If mounted add 1.9 lbs for mounting bracket

**QuadPack**



**Electrical**

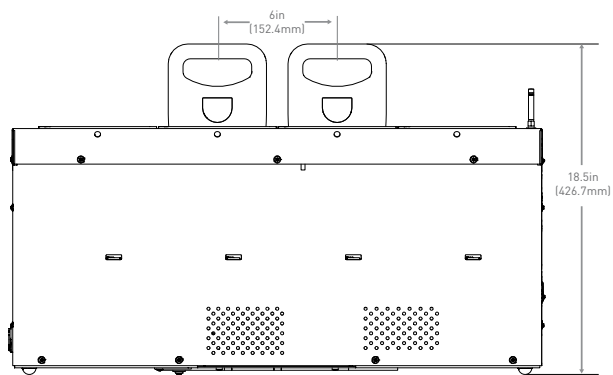
Voltage Input: 115 VAC  
 Power Outlet, Mains: NEMA 5-15R  
 Power Inlet, Charger: IEC 320 C14  
 Required Cord Set for North America: IEC 320 C13 to NEMA 5-15P  
 Standard 15 AMP Breaker  
 7.2 AMP Input

**Weight**

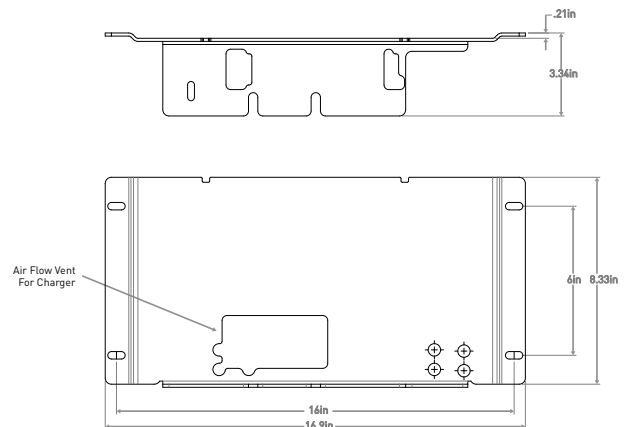
Weight w/o Batteries 20.4 lbs\* (9.2kg)  
 Weight w/ Batteries 42.4 lbs (19.2kg)

\* If mounted add 1.9 lbs (.86kg) for mounting

**HEIGHT**



**MOUNTING BRACKET**



**Weight**

Weight 1.9lbs (0.86kg)

Recommended ergonomic mounting height for QuadPack and DualPack Charging Stations is 24" - 30" from floor to the top of the charging station

Charge Time < 4 Hours  
 System Output - 144 Watts Max

**CERTIFICATIONS**

UL1012 • CAN/CSA E60335 • IEC 60335