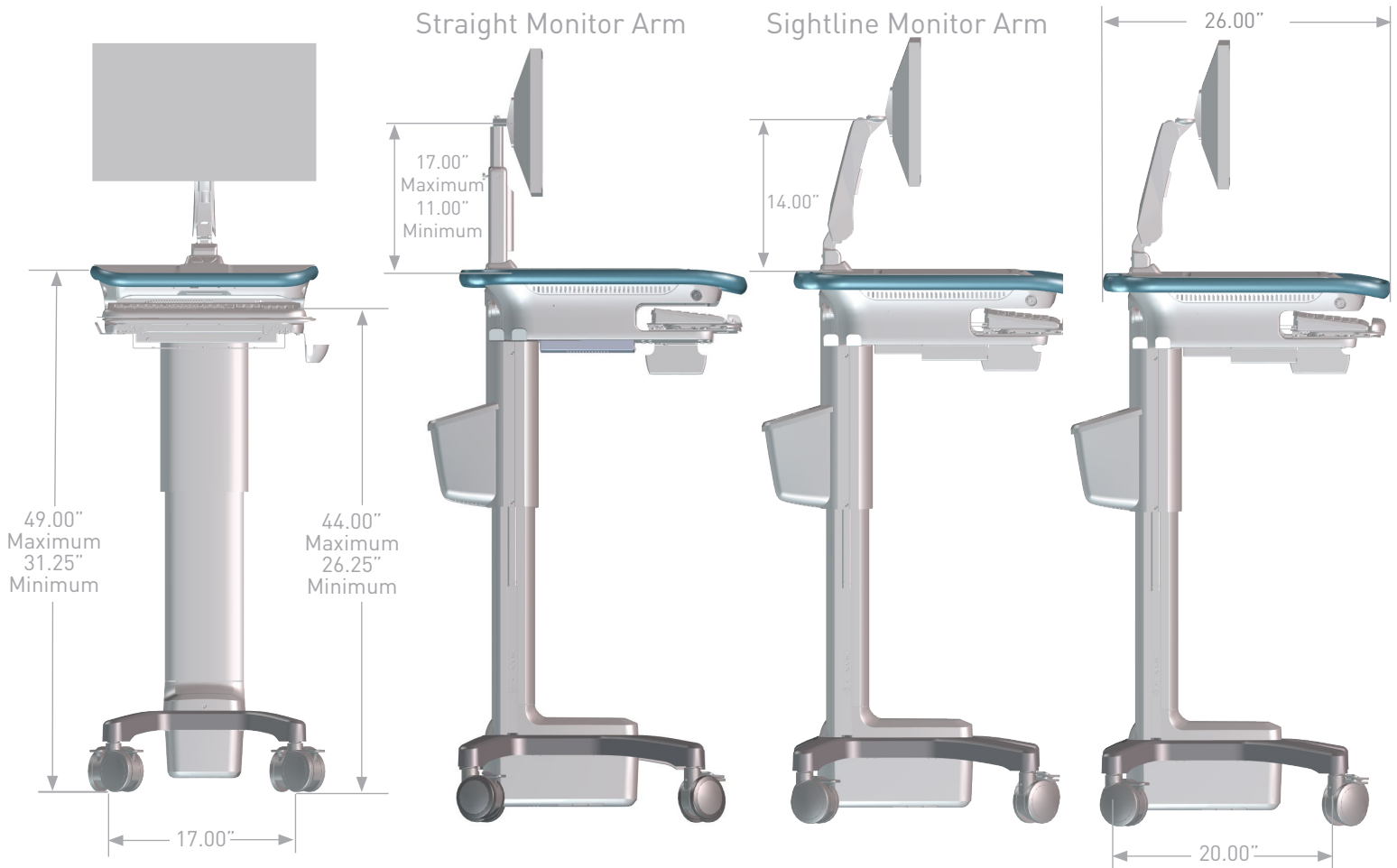
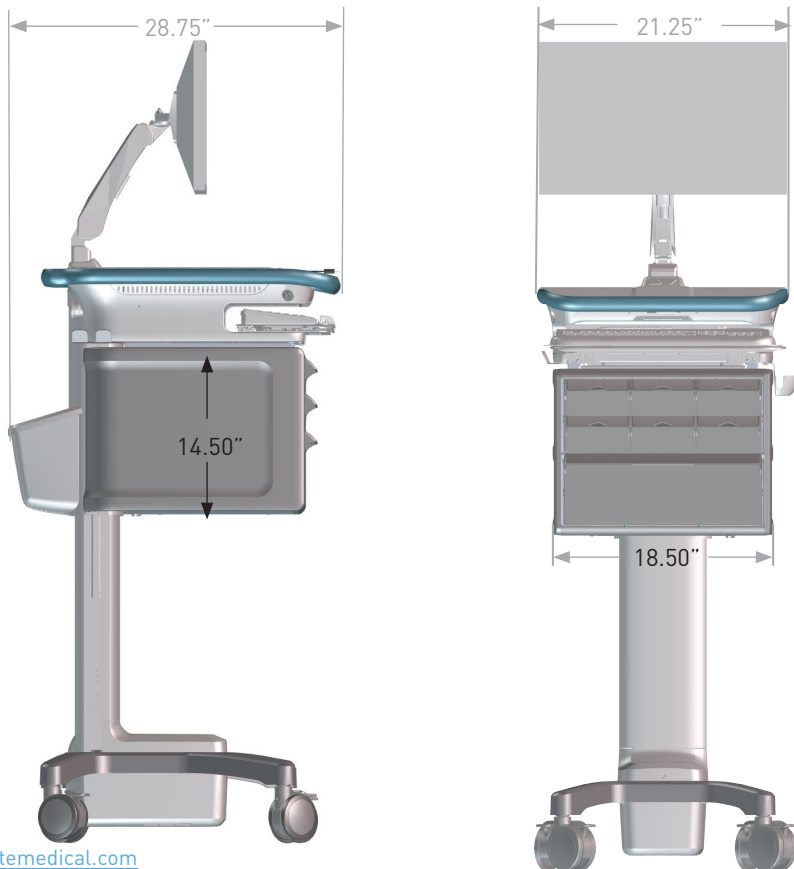


# ENVOY SPECIFICATIONS - MOBIUSPOWER®

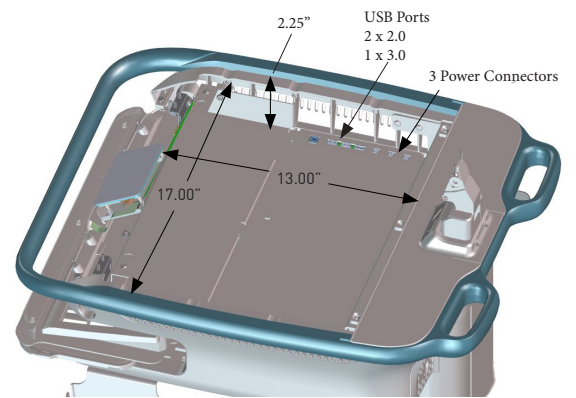
## DIMENSIONS



## DIMENSIONS WITH MED STORAGE MODULE

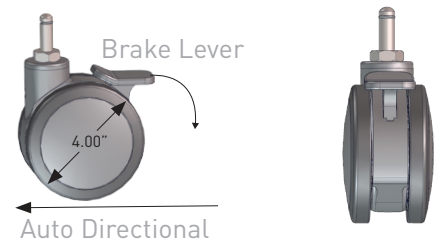


## INTERNAL DESK SPACE



Designed to accommodate a 15" - wide Laptop

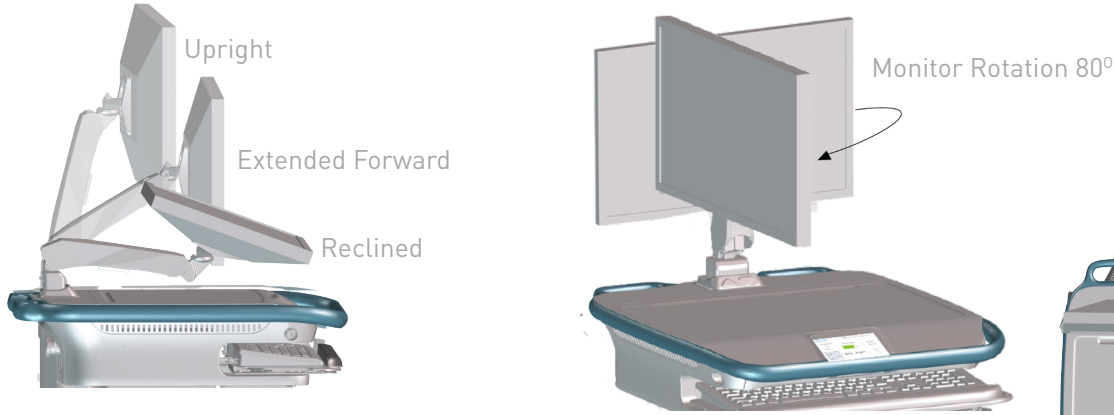
## AUTOTRAX™ CASTERS



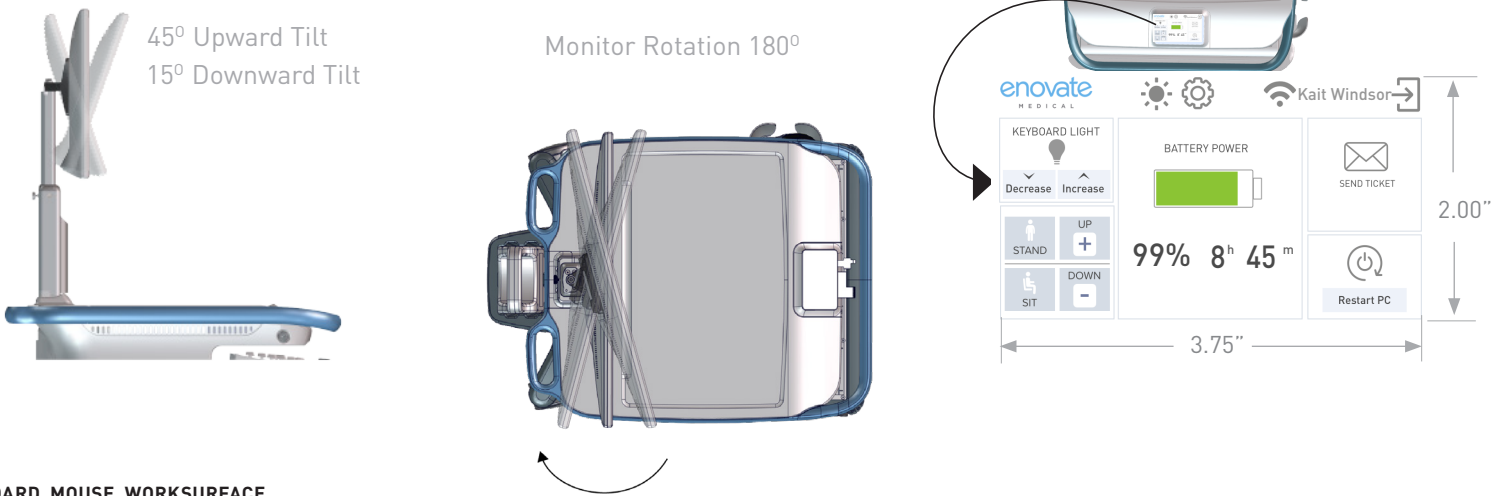
# ENVOY SPECIFICATIONS - MOBIUSPOWER®

## MONITOR

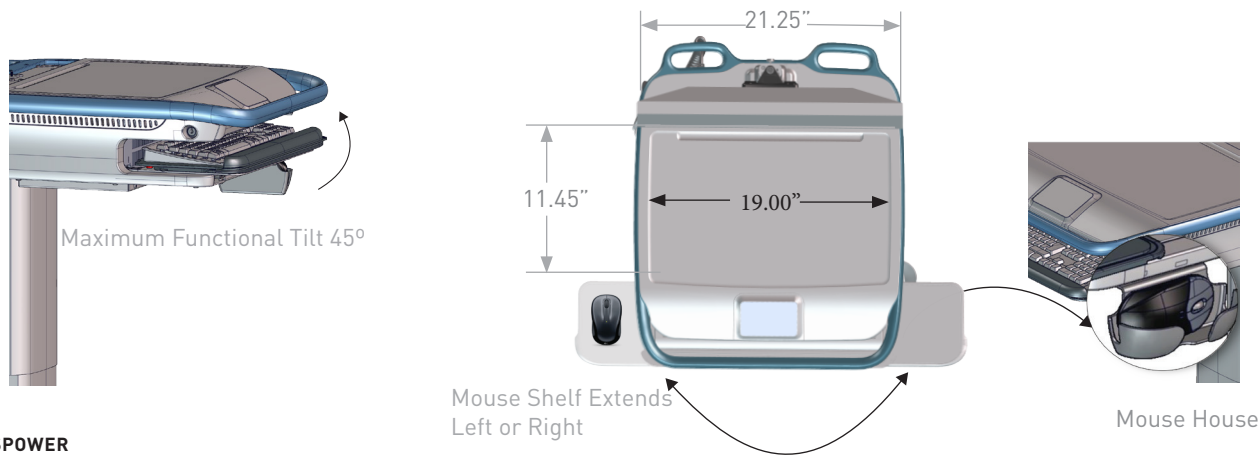
### SIGHTLINE ARM MONITOR MOVEMENT



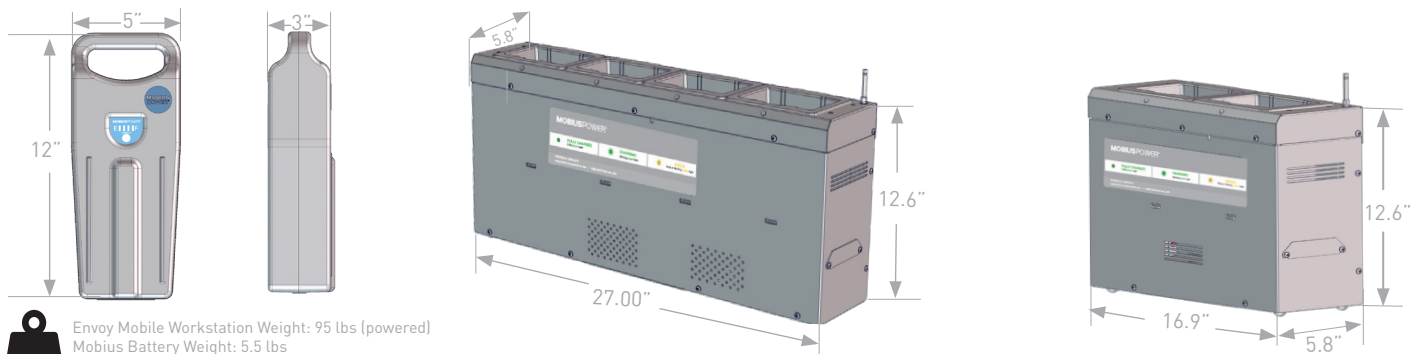
### STRAIGHT ARM MONITOR MOVEMENT




## KEYBOARD, MOUSE, WORKSURFACE



## MOBIUSPOWER




 Envoy Mobile Workstation Weight: 95 lbs (powered)  
 Mobius Battery Weight: 5.5 lbs  
 Monitor Pole Weight Limit: 16lbs

[www.enovatemedical.com](http://www.enovatemedical.com)