

e997

Articulating Wall Arm



MANUAL 10.18.16 IM004-03

enovate
MEDICAL

WELCOME

The Enovate Medical e997 Articulating Wall Arm was designed to set a new standard in quality. Enovate Medical's goal is to provide a wall arm that is ready for years of use, and backed by a commitment of exemplary service and support.

**Thank you for purchasing the
Enovate Medical e997 Articulating Wall Arm!**



TABLE OF CONTENTS

WELCOME	2
WARNINGS.....	4
COMPONENTS AND HARDWARE	6
MOUNTING	10
ASSEMBLY	14
CABLE MANAGEMENT	18
ADJUSTMENTS	23
ACCESSORIES.....	27
MOVEMENT	28
PARTS LIST.....	31
PARTS INDEX.....	32

WARNINGS



Important Warnings



Electrical Shock Warning

The above symbols represent safety warnings that require significant attention when seen on this product or in this user manual. Failure to follow these warnings could result in minor injury, major injury, or even death.

Read the entire manual before you begin.

MOUNTING

Installer must verify that the entire wall will safely support the combined weight of all attached equipment and hardware. Improper installation of this product can cause extensive property damage or serious personal injury, either during or after installation. It is the responsibility of the installer to ensure that all applications including wood, concrete, block, brick, steel, etc. are secured properly and are in compliance with local and national building codes. California installations could require specific anchorage, and additional mounting screws. Check with local authorities for codes in your area. Other seismic states have similar regulations.



WARNING:

Because wall surfaces and construction methods and materials vary, it is imperative that you consult with the appropriate engineering, architectural, or construction professional to ensure that your wall computing station is mounted properly to handle the applied loads.



ELECTRICAL SHOCK HAZARD:

Cutting or drilling into electrical wires and cables can cause FIRE, DEATH or SERIOUS PERSONAL INJURY. Always make certain the area behind the mounting surface is free of electrical wires and cables before drilling into wall.



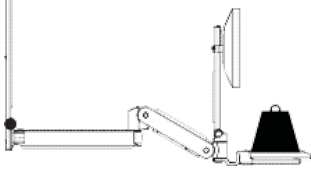
EXPLOSION AND FIRE HAZARD:

Drilling into gas plumbing can cause EXPLOSION, FIRE, DEATH or SERIOUS PERSONAL INJURY. Always make certain the area behind the mounting surface is free of gas, water, waste, or any other plumbing before drilling into wall.



WARNING:

Weight restrictions apply. See table on page 5 for more information.

 Riser Arm Part Number	If desk type is:	COMBINED WEIGHT* of equipment (monitor, AIO, printer, scanner, badge reader, etc.) must not exceed:	If Desk Type Is:	COMBINED WEIGHT* of equipment (monitor, AIO, printer, scanner, badge reader, etc.) must not exceed:
AM0400163 (700N light duty)	Standard	12 lbs.	eDesk	Not Available
AM0400157 (850N medium duty)	Standard	22 lbs.	eDesk	15 lbs.
AM0400171 (1050N heavy duty)	Standard	36 lbs.	eDesk	29 lbs.

***Note: The weight of the monitor or AIO must NOT exceed 20 lbs.**

SERVICE AND REPLACEMENT

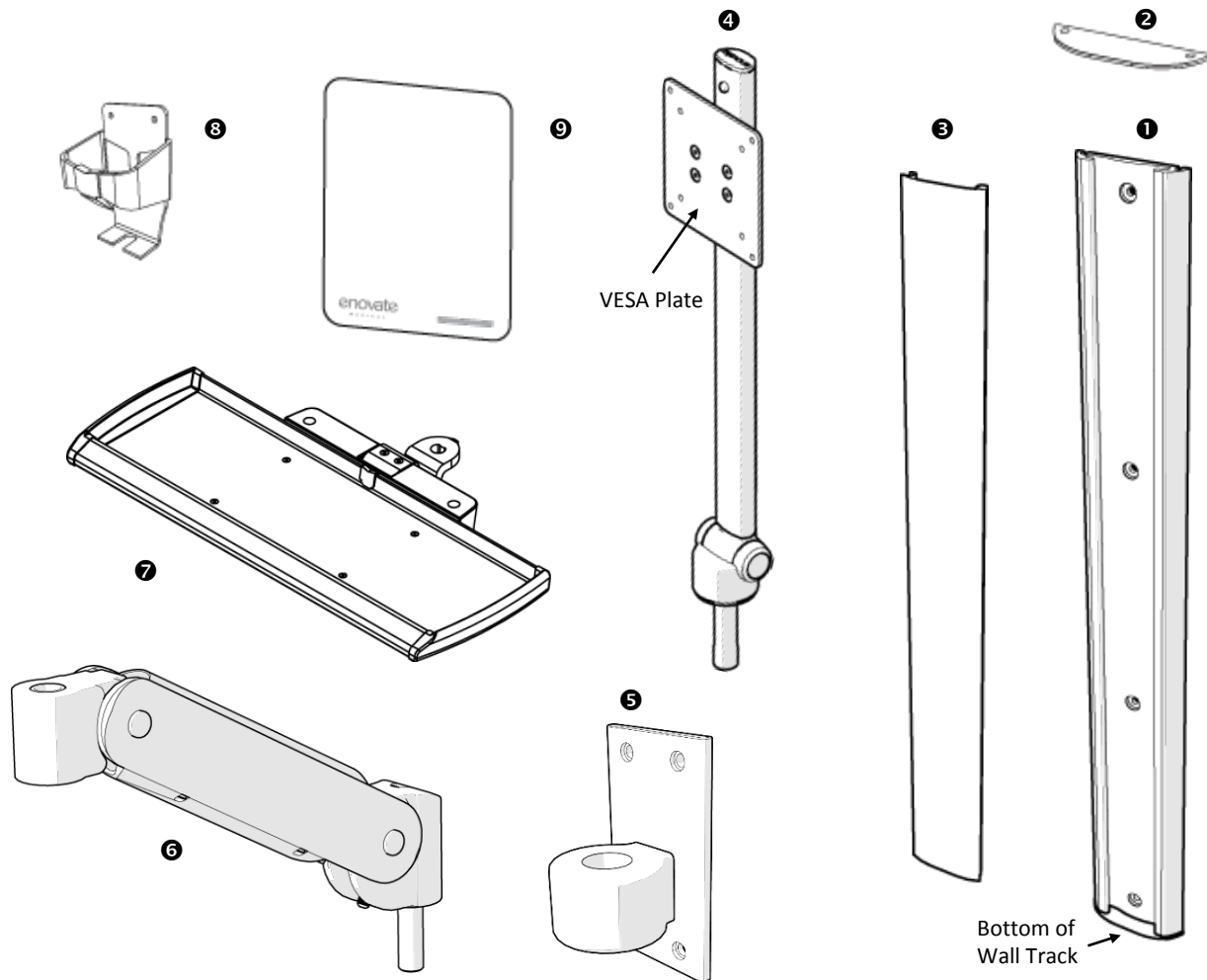
Warranty will be void if an attempt to service or replace any part of the Enovate Medical Wall Arm is made unless directed to do so through Enovate Medical approved documentation (i.e., this User Manual or other instructions). Only Enovate Medical or an Enovate-certified entity may service or replace the Enovate Medical Wall Arm components. If any component on the Enovate Medical Wall Arm is missing or damaged, the Wall Arm must not be used. Contact Enovate Medical immediately to request service.

If the unit is not working properly, please contact Enovate Medical customer service via your computer or phone at the locations shown below.

enovatemedical.com/support

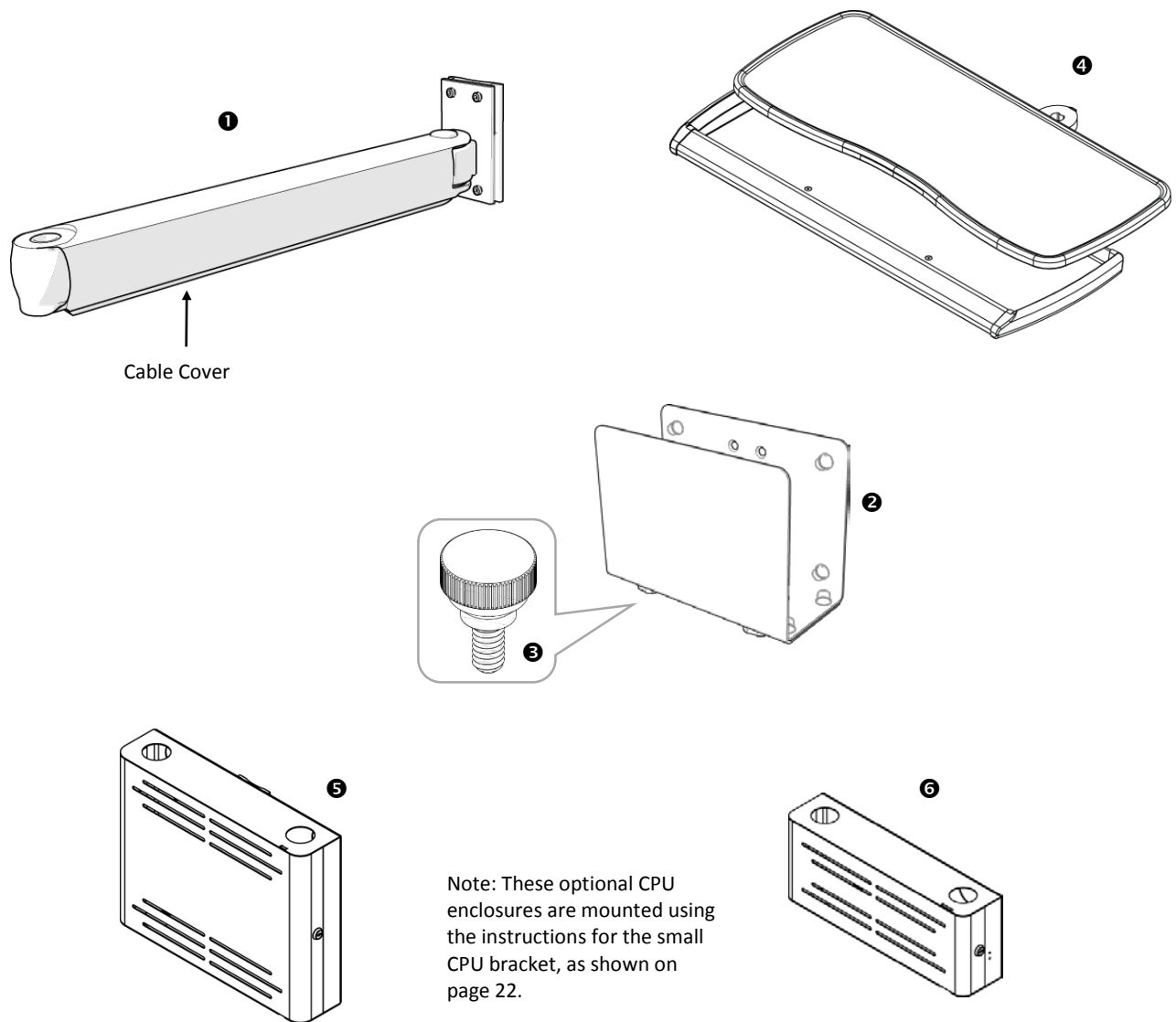
888.909.8930 toll free

COMPONENTS AND HARDWARE



STANDARD COMPONENTS

	Description	Part Number(s)
❶	Wall Track (32", 42", 48")	32" AM0200022 42" AM0200098 48" AM0200027
❷	Wall Track End Cap (2x)	AM0700001
❸	Wall Track Cable Cover	32" AM0200092 42" AM0200110 48" AM0200109
❹	Monitor Pole Assembly	AM0400003
❺	Pivot Mount	AM0400012
❻	Riser Arm and Cable Cover	AM0400163 (770N light duty) AM0400157 (850N medium duty) AM0400171 (1050N heavy duty) AM0800006 (cable cover)
❼	Standard Keyboard Tray	AM0400102
❽	Mouse Holder – Standard Tray	HC0400305
❾	Adhesive Mouse Pad	AM0100050

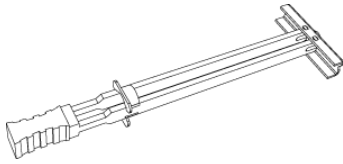


OPTIONAL COMPONENTS

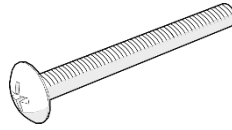
	Description	Part Number(s)
❶	Extension Arm and Cable Cover	AM0400007 (arm) AM0200090 (cable cover)
❷	Small CPU Bracket	AM0400030
❸	CPU Bracket Thumb Screw	AM0100039
❹	eDesk	AM0400100
❺	Large Locking CPU Enclosure Box	HC0400392
❻	Small Locking CPU Enclosure Box	HC0400884

HARDWARE INCLUDED

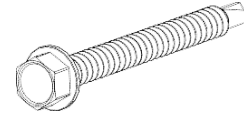
See page 31 for parts list.



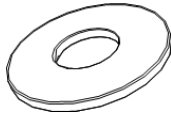
6-8x*
SNAPTOGGLE® Anchor
Part WS0900200



6-8x*
1/4" 20 x 2 1/2"
Cross Drive Metal Screw
(for use with SNAPTOGGLE
installations)
Part CR-PHMS 1/4-20 x 2.5 x 2.5 ZNC



6-8x*
1/4" 14 x 2 1/2"
Hex Head Self Tapping Metal
Screw
(for metal stud mounting only)
Part HX-WHDS .25-14 x 2.50 ZNC



2x
Plastic Washer
Part AM0800009



6-8x*
1/4" x 1"
Phenolic Washer
Part PH-WSH .25 x 1.0



6-8x*
1/4" x 1"
Wide Flat Washer
Part SWFW 1/4 x 1.00
TYPE A ZNC



1x
3/4-10 Nylock Jam
Nut
Part 9114772



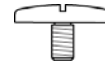
4x
10-24 x 1/2"
Button Head Screw
Part BHSC 10-24 x .500 x .500 SS



4x
M4 x 16mm
Pan Head Screw
Part CR-PHMS M4 x 0.7 x
16 ZNC



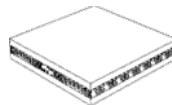
4x
#10x1/4"
Standoff
Part HC0100167



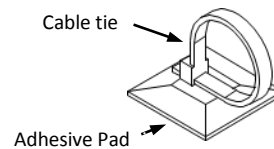
1x
(Pre-installed on the riser
arm)
Large Slotted Pan
Head Screw
Part AM0700047



1 length
Cable Loom
Part P0000119



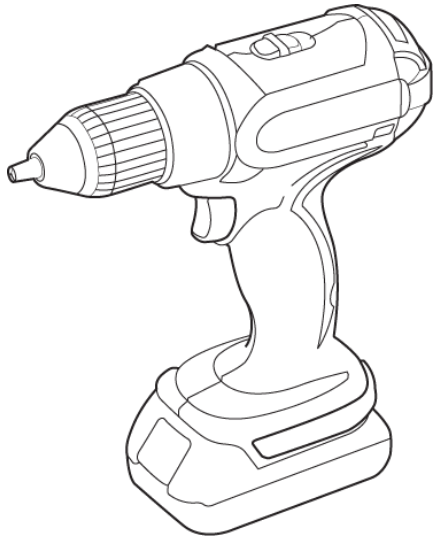
4x
Dual Lock Pads
Part P0000050



5x
(Shown with cable tie)
Cable Tie Adhesive Pad
Part WS0900092

* Quantity varies by wall track length installed.

TOOLS NEEDED



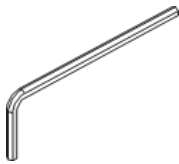
Drill



Level



Pencil



**1/8"
Allen Wrench**



**4mm
Allen Wrench**



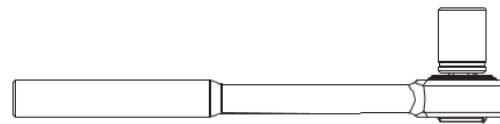
**3/16"
Allen Wrench**



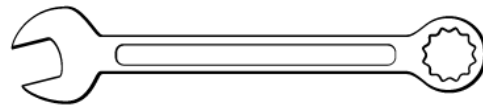
**5/16"
Allen Wrench**



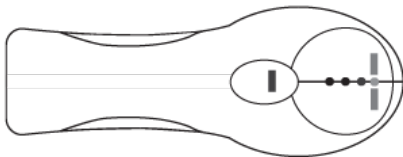
Tape Measure



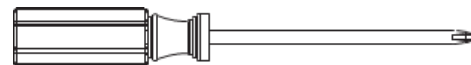
**3/8" Drive Socket Wrench
1/2" Socket**



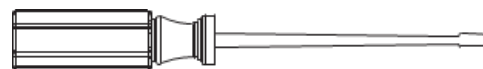
1 1/16" Combination Boxed/Open End Wrench



Stud Finder



Phillips Screwdriver



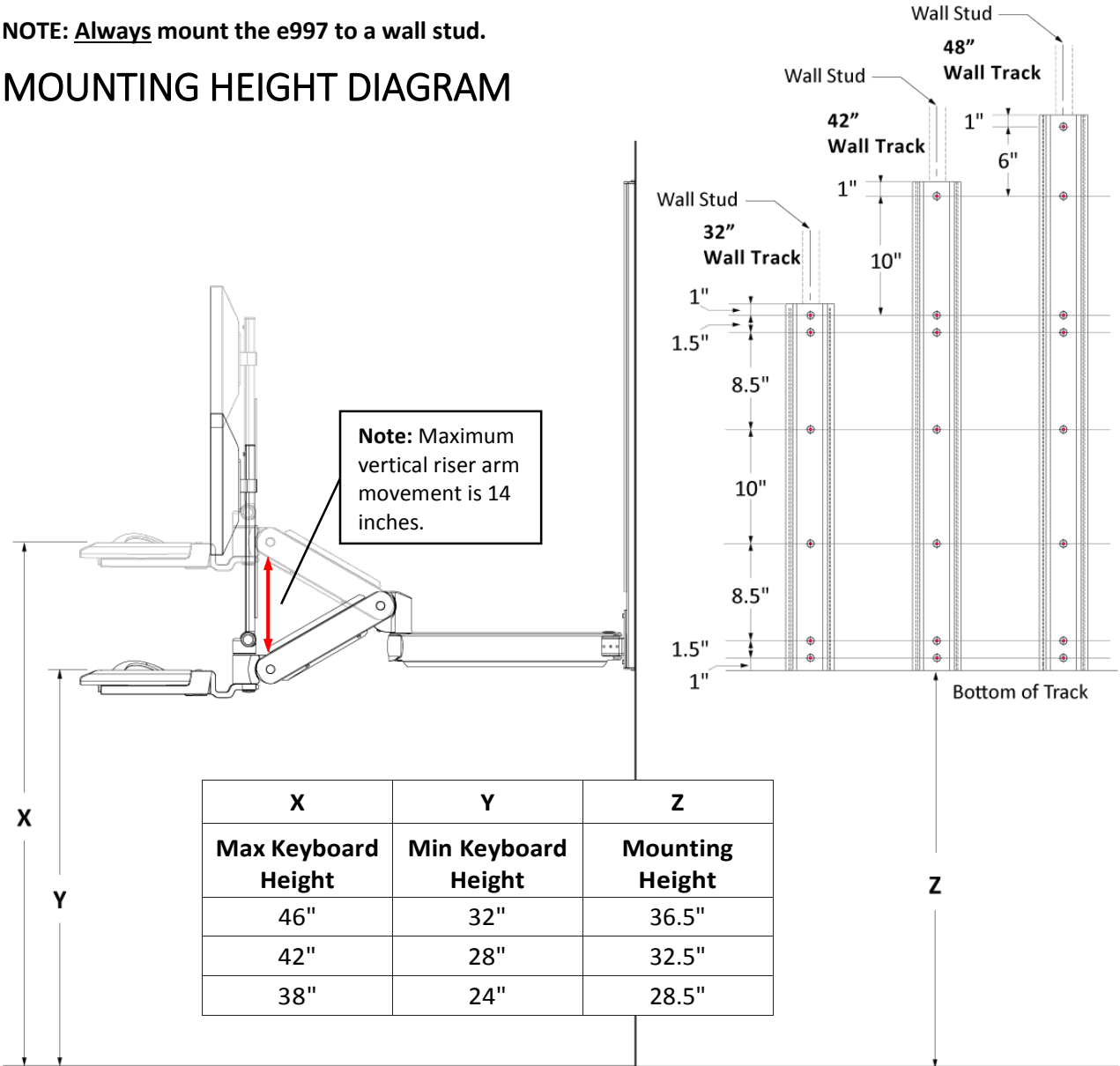
Flat Head Screwdriver

MOUNTING

The following procedures must be performed as described to ensure proper installation.

NOTE: Always mount the e997 to a wall stud.

MOUNTING HEIGHT DIAGRAM



Item	Part Number	SNAPTOGGLE® Quantity
48" Wall Track	AM0200027	8
48" Wall Track Cable Cover	AM0200109	
42" Wall Track	AM0200098	7
42" Wall Track Cable Cover	AM0200110	
32" Wall Track	AM0200022	6
32" Wall Track Cable Cover	AM0200092	

20 GAGE (.035") OR HEAVIER METAL STUD (Preferred method of mounting)

STEP 1

For easier installation, install the Wall Track End Cap to the wall track using two 10-24 x 1/2" Button Head Screws before mounting the track to the wall.

STEP 2

Determine the desired keyboard height. Use the chart on page 10 for standard keyboard heights; adjust vertical dimensions as required for desired keyboard height.

STEP 3

Locate the exact center line of the wall stud where the track will be mounted.

STEP 4

Using a level, mark the hole locations for the appropriate track size using the dimensions to the left (make note of the bottom of the track).

STEP 5

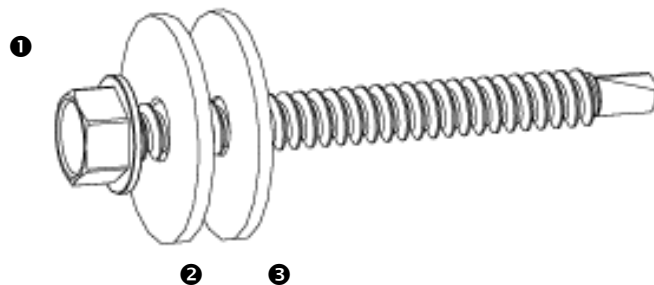
Place the track against the wall and secure with the Wide Flat Washer, the Phenolic Washer and the Hex Head Self Tapping Metal Screw. **DO NOT DRILL PILOT HOLES.**

STEP 6

Ensure track is level before fully tightening screws.

DO NOT OVER TIGHTEN SCREWS.

For stripped holes in metal studs, see page 13.



	Description	Part Number
①	1/4-14 x 2 1/2" Hex Head Self Tapping Metal Screw	HX-WHDS .25-14 x 2.5 ZNC
②	Wide Flat Washer	SWFW 1/4 x 1.00 TYPE A ZNC
③	Phenolic Washer	PH-WSH .25 x 1.0

Note: When mounting in California, please refer to OSHPD code OPA 26710.

WOOD STUD MOUNTING (Hardware not included)

STEP 1

For easier installation, install the Wall Track End Cap to the wall track using two 10-24 x 1/2" Button Head Screws before mounting the track to the wall.

STEP 2

Determine the desired keyboard height. Use the chart on page 10 for standard keyboard heights; adjust vertical dimensions as required for desired keyboard height.

STEP 3

Locate the exact center line of the wall stud where the track will be mounted.

STEP 4

Drill a 3/16" pilot hole into each of the marked mounting locations. Use the Wide Flat Washer, Phenolic Washer, and the Hex Head Wood Screw to secure the track to the wall.

STEP 5

Ensure wall track is level before fully tightening screws.



	Description	Part Number
①	1/4-14 x 4" Hex Head Wood Screw*	HX-WLAG.25 x 4.0 ZNC
②	Wide Flat Washer	SWFW 1/4 x 1.00 TYPE A ZNC
③	Phenolic Washer	PH-WSH .25 x 1.0

*** This part may be ordered from Enovate Medical. Please see PARTS ORDERING information on page 31.**

FOR STRIPPED HOLES IN METAL STUDS

STEP 1

For easier installation, install the Wall Track End Cap to the wall track using two 10-24 x 1/2" Button Head Screws before mounting the track to the wall.

STEP 2

Determine the desired keyboard height. Use the chart on page 10 for standard keyboard heights; adjust vertical dimensions as required for desired keyboard height.

STEP 3

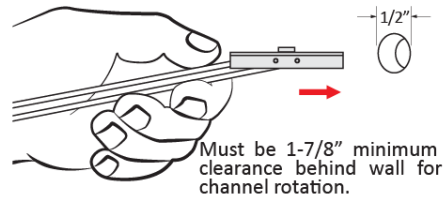
Locate the exact center line of the wall stud where the track will be mounted.

STEP 4

Drill a 1/2" hole through the center of the stripped hole and install SNAPTOGGLE® brand hollow wall anchors. Follow the wall anchor installation instructions shown next.

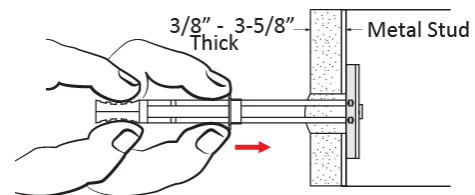
SNAPTOGGLE STEP A

Drill a 1/2" hole through center of metal stud. Hold metal channel flat alongside plastic straps and slide channel through hole.



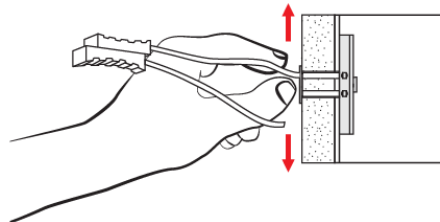
SNAPTOGGLE STEP B

Hold ends of straps between thumb and forefinger and pull toward you until channel rests flush behind wall. Slide plastic cap along straps with other hand until flange of cap is flush with wall.



SNAPTOGGLE STEP C

Snap straps at wall by pushing side to side, snapping off straps level with flange of cap.

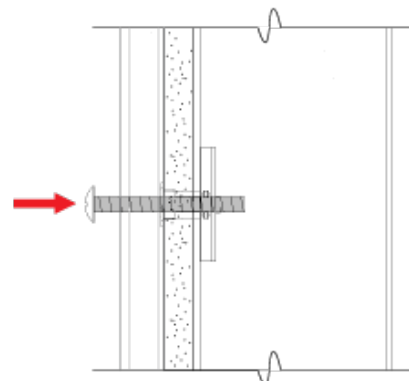


Patented under one or more of the following U.S. Patent Nos.: 4,993,901; 5,028,186; 5,161,296; 5,938,385; 6,161,999; 7,144,212; 7,320,569; and foreign counterparts thereof and of 4,650,386 and 4,752,170. Other patents pending. TOGGLER and typeface, symbol, TA, TB, TC, TH, ALLIGATOR, SNAPTOGGLE, and SnapSkru are worldwide registered trademarks of Mechanical Plastics Corp.

STEP 5

Ensure track is level before fully tightening.

Tighten with cross drive 1/4" 20 x 2 1/2" screws.

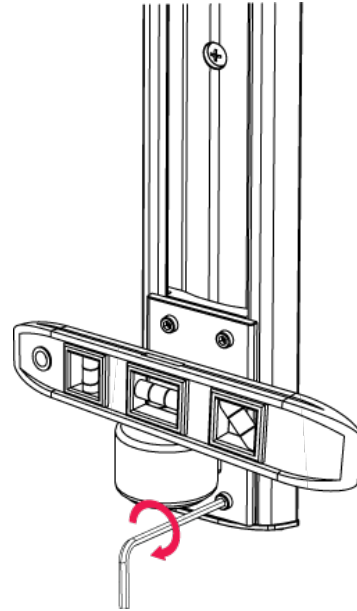


ASSEMBLY

STEP 1

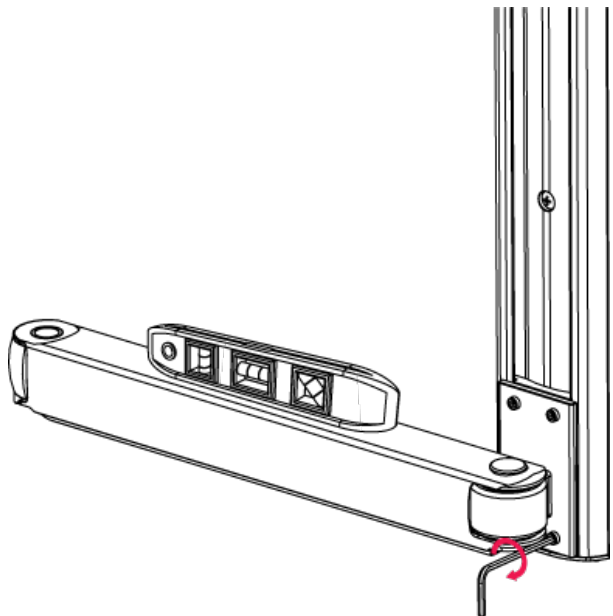
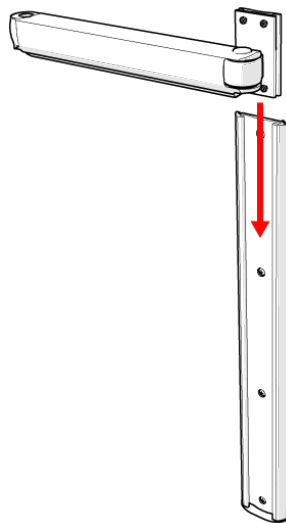
(NON-EXTENSION ARM)

Slide pivot mount to bottom of wall track (you may need to pull the pivot mount towards you while sliding); level and secure screws tightly with 3/16" Allen wrench.



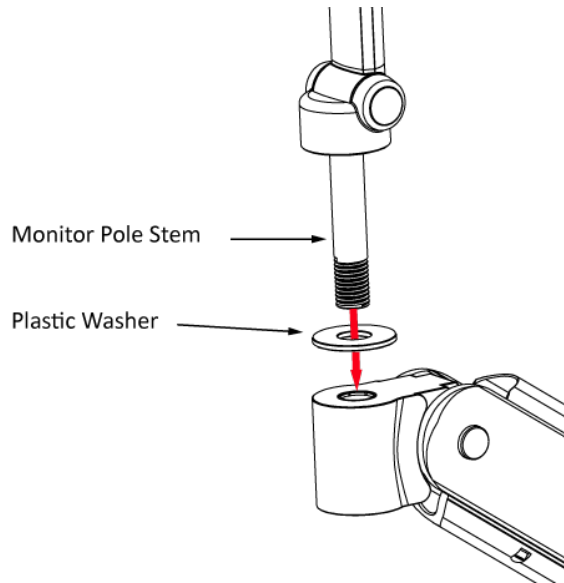
(EXTENSION ARM)

Slide pivot mount with extension arm to bottom of wall track; level and secure screws tightly with 3/16" Allen wrench.



STEP 2

Working on a flat surface, insert monitor pole stem through plastic washer into riser arm.

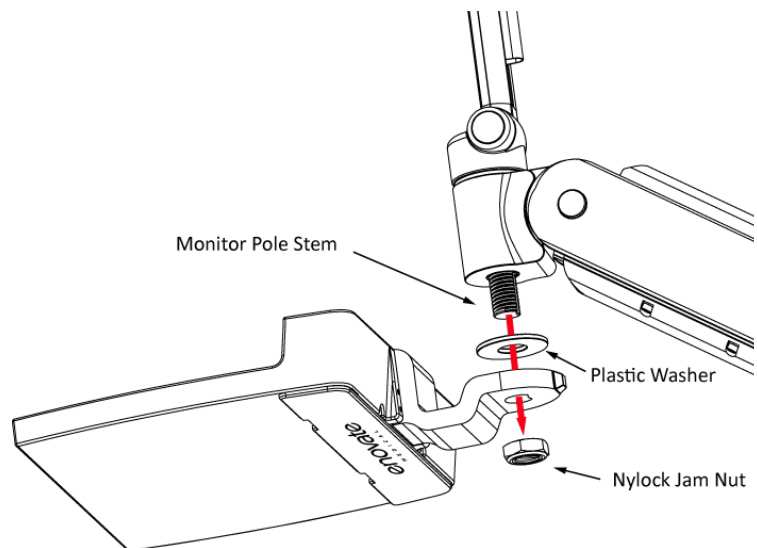


STEP 3

Place the remaining plastic washer on to the monitor pole stem and insert through the keyboard tray pivot mount. After assembly is complete, secure with the 3/4-10 Nylock Jam Nut (part 9114772). Tighten the nut to the point where there is no space between the washers, but not to the point where movement is inhibited.

NOTE:

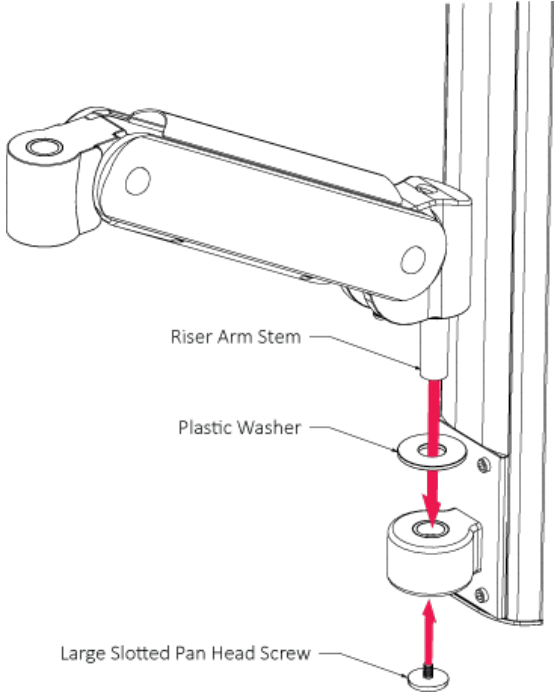
When tightening the 3/4-10 Nylock Jam Nut, hold the monitor pole straight with the keyboard tray (or eDesk). This will ensure the monitor is aligned correctly with the keyboard tray (or eDesk).



STEP 4

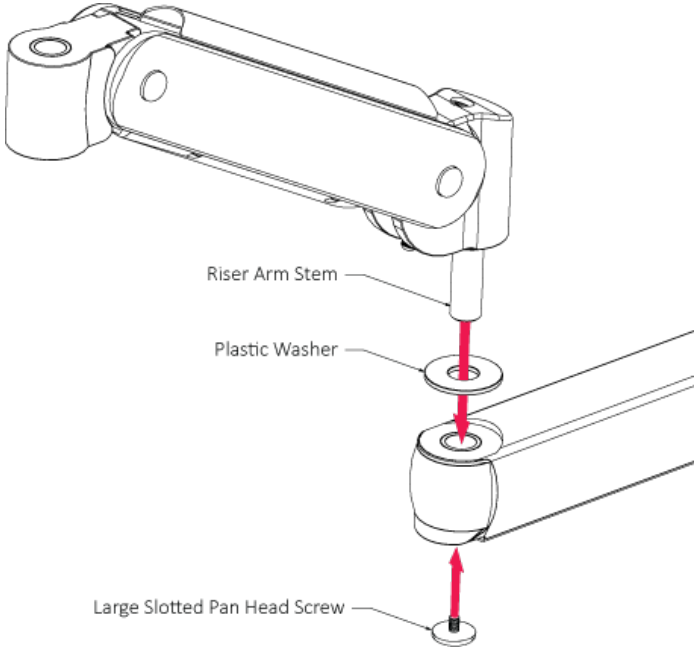
(NON-EXTENSION ARM)

Insert riser arm stem through plastic washer into pivot mount, and secure with large slotted pan head screw.



(EXTENSION ARM)

Insert riser arm stem through plastic washer into extension arm and secure with large slotted pan head screw.

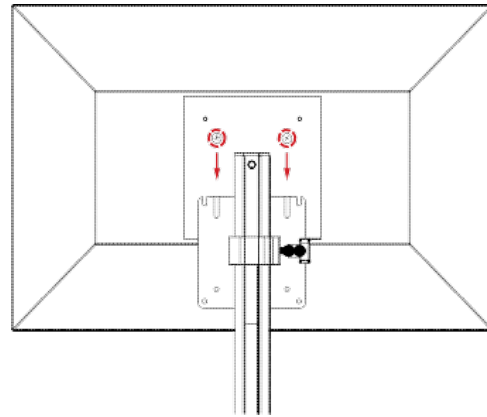


MOUNTING THE MONITOR

Note: To maintain monitor tilt action, the weight of the mounted monitor must not exceed 12 lbs. Monitors weighing between 12 lbs. and 20 lbs. (maximum weight) must be mounted in a fixed position with no tilt option.

STEP 1

Loosely insert two M4 x 16mm screws with standoffs into the top two holes of the VESA pattern on the back of the monitor.

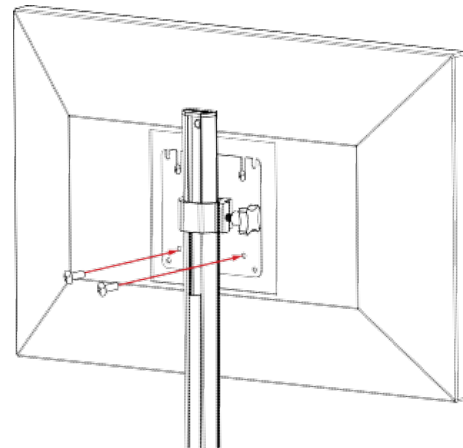


STEP 2

Align screws with the quick mount slots in the monitor pole VESA plate. Slide the monitor into place and tighten the screws.

STEP 3

Insert the additional two M4 x 16mm screws and standoffs into the bottom two holes of the monitor pole VESA plate to properly secure the monitor.



NOTE:

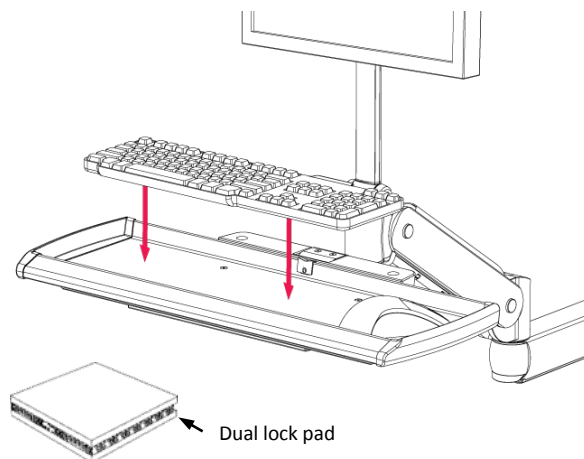
Use the (4) #10 Standoffs (if needed) to compensate for the extra-long monitor screws.

ADHESIVE MOUSE PAD

Place the adhesive mouse pad in the far left or right of the keyboard tray before mounting the keyboard.

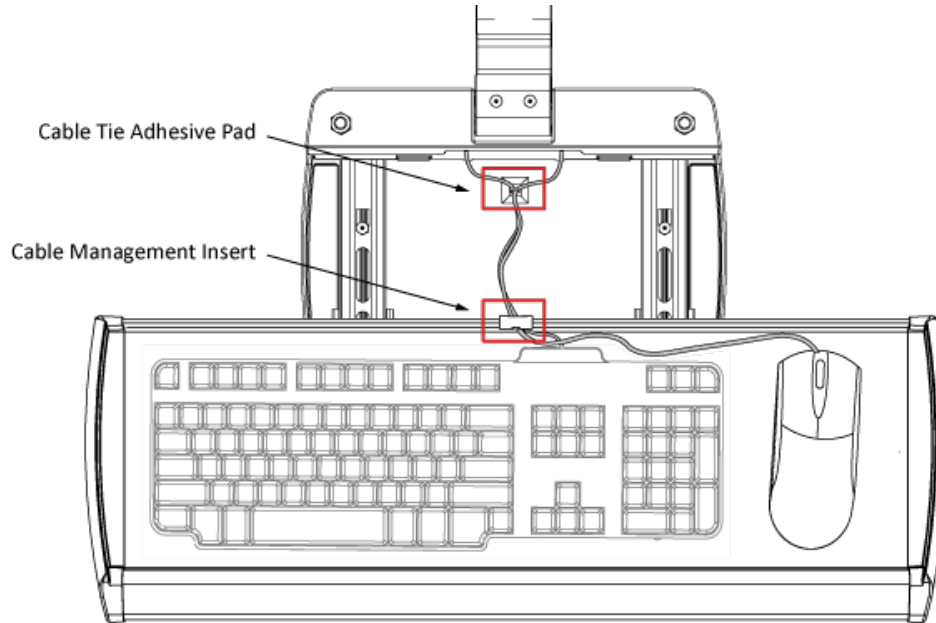
MOUNTING THE KEYBOARD

Mount keyboard to keyboard tray using dual lock pads provided.



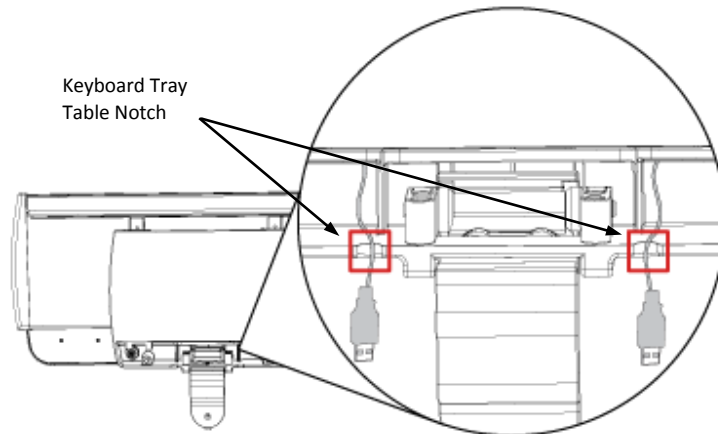
CABLE MANAGEMENT

STANDARD KEYBOARD CABLE MANAGEMENT



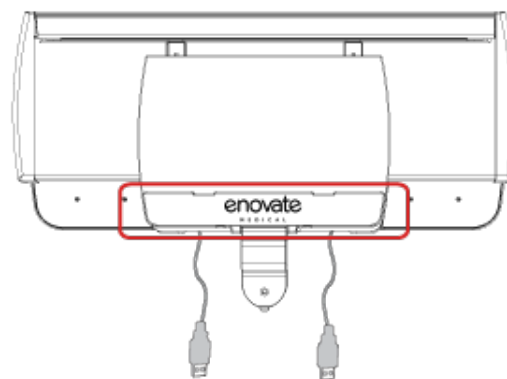
STEP 1

Remove the plastic cover plate and the rubber cable management insert. Run the mouse and keyboard cables through the keyboard notch, letting them hang out of the bottom of the keyboard tray.



STEP 2

Replace the rubber cable management insert and plastic cover plate.



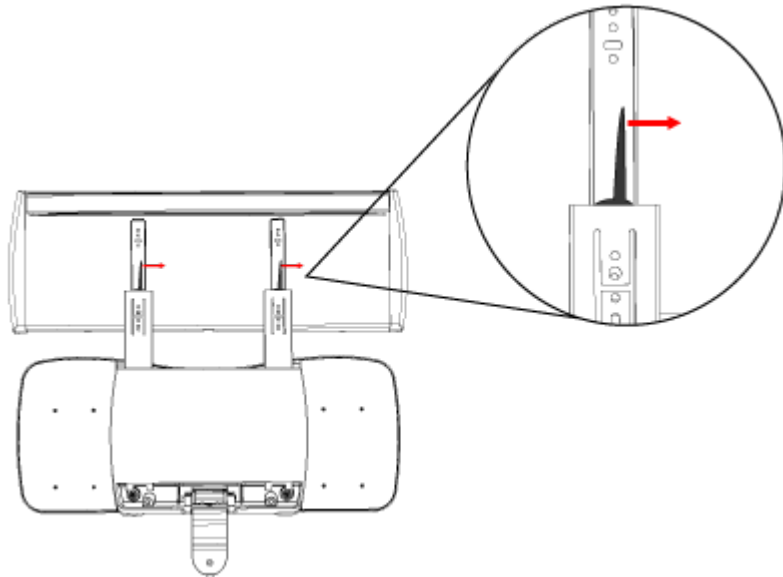
eDESK CABLE MANAGEMENT

STEP 1

Extend keyboard tray.

STEP 2

Push the keyboard tray release tabs to the right and remove the keyboard tray.

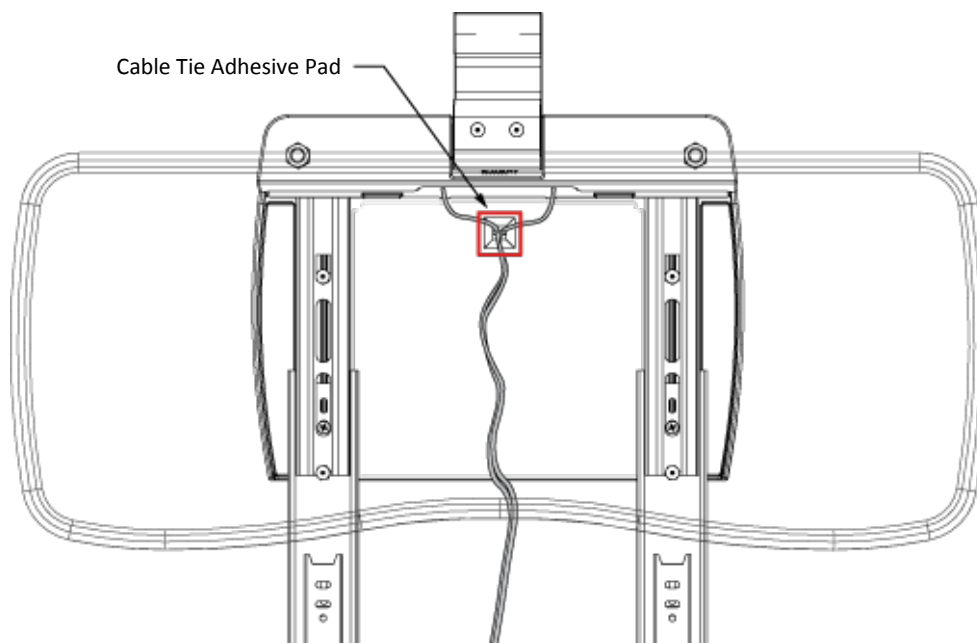


STEP 3

Place adhesive pad with cable tie into place as shown.

STEP 4

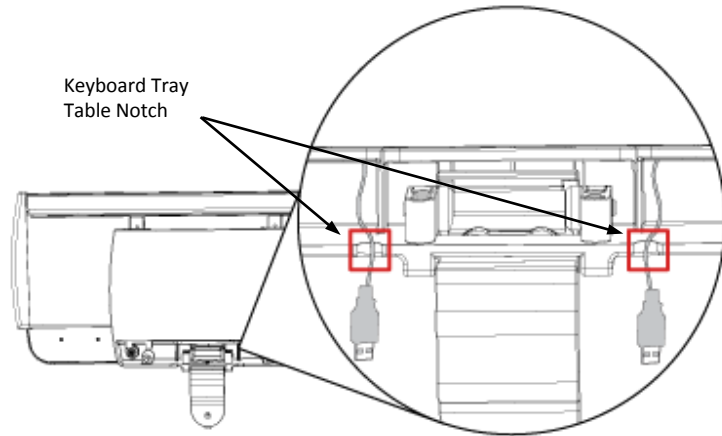
Lay the mouse and keyboard cables into place and allow the ends of the cables to hang out of the bottom of the eDesk.



STEP 5

Tie cables into place. Take care to leave the appropriate amount of slack in the cables to open and close the keyboard tray properly.

Note: It is important to pull the keyboard tray to the fully extended position (54") during the cable management installation. This will allow adequate cable length to ensure that the keyboard functions correctly.

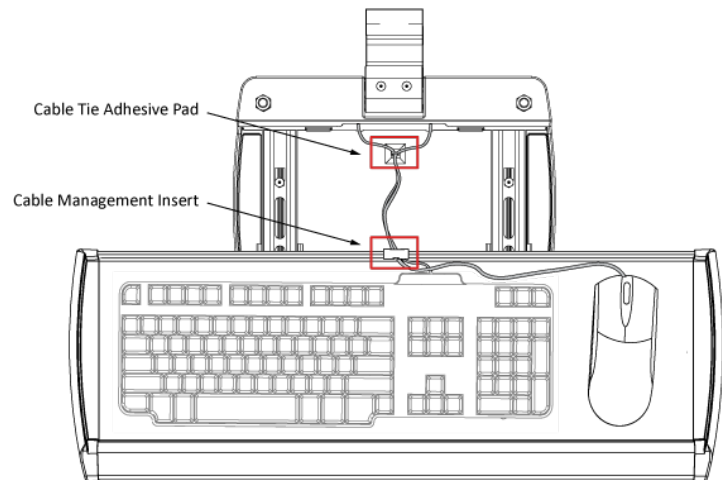


STEP 6

Replace the keyboard tray and place the mouse and keyboard into place.

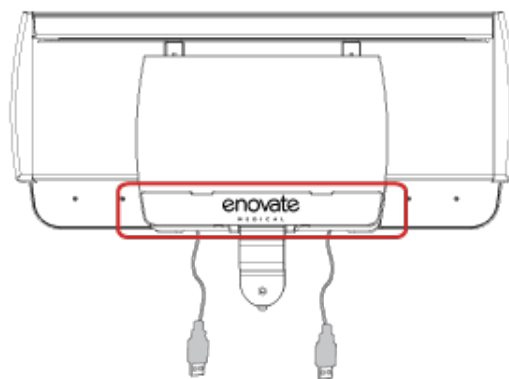
STEP 7

Run the mouse and keyboard cables through the keyboard notch and replace the rubber keyboard cable management insert.



STEP 8

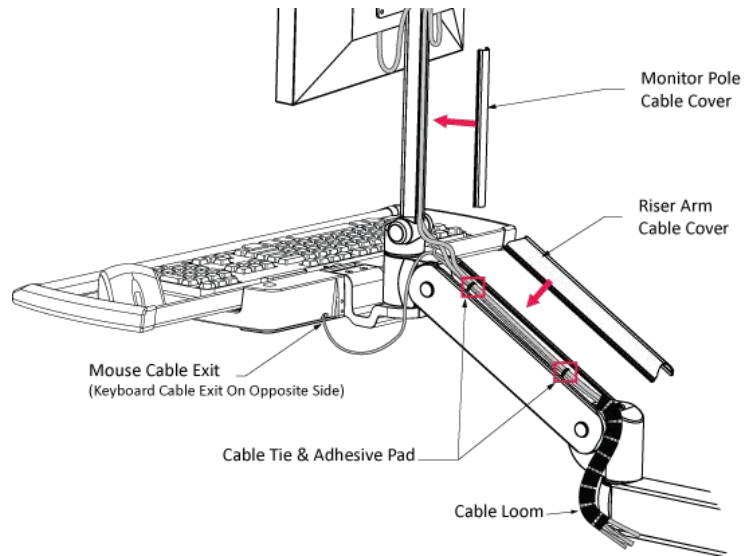
Replace the plastic cover plate.



RISER ARM CABLE MANAGEMENT

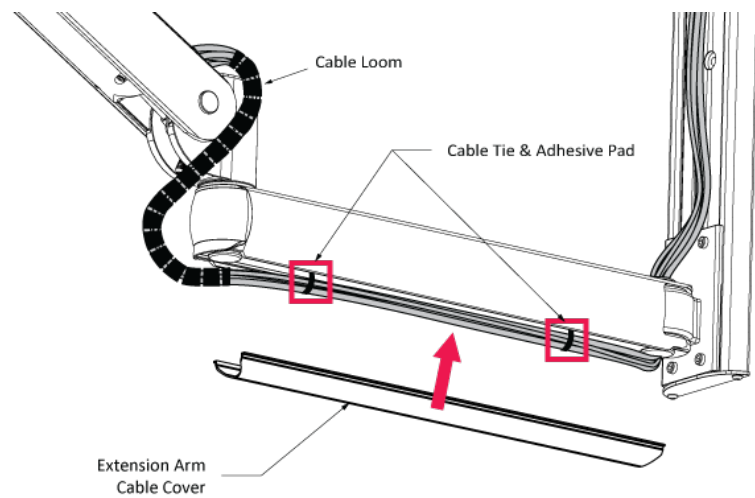
STEP 1

Run video and power cables down monitor pole and riser arm. Also run mouse and keyboard cables into riser arm. Snap cable covers into place. Install cable loom to the cables that are exposed between the riser and the extension arm.



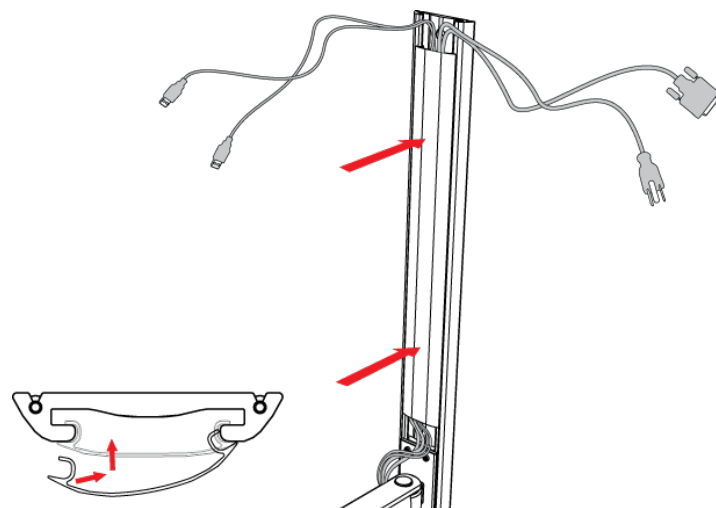
STEP 2

Run cables along extension arm (if applicable) and up wall track. Snap cable cover into place.



STEP 3

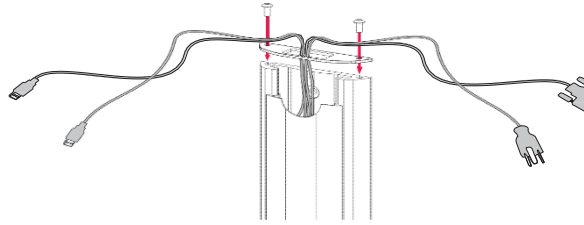
Install wall track cable cover; place a single side into place, then starting at one end, flex cover inward until opposite side snaps into place.



STEP 4

(WITHOUT CPU BRACKET)

Secure top plate with 10-24 x 1/2" button head screws and a 1/8" Allen wrench.



(WITH CPU BRACKET)

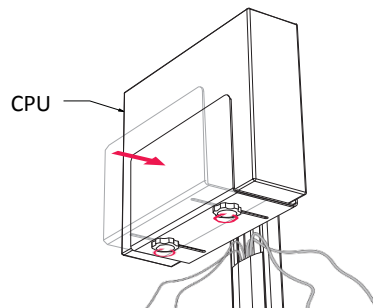
Note: See Optional Components, page 7, for additional CPU housing options.

Insert CPU bracket into wall track.

Top of wall track install	Bottom of wall track install Remove CPU bracket mount and replace as shown.
A diagram illustrating the top of the wall track installation. It shows a CPU bracket being inserted into the top of a wall track. A red arrow points down from the CPU bracket into the track. Labels include 'CPU Bracket' and 'Wall Track TOP'.	A diagram illustrating the bottom of the wall track installation. It shows the CPU bracket being inserted into the bottom of the wall track. A red arrow points up from the bracket into the track. Labels include 'CPU Bracket' and 'Wall Track BOTTOM'.

STEP 5

Place CPU into CPU Bracket, adjust front plate until it securely holds the CPU, then tighten thumb screws.



STEP 6

Secure top/bottom plate. The placement of this plate is determined by the location of the CPU bracket.

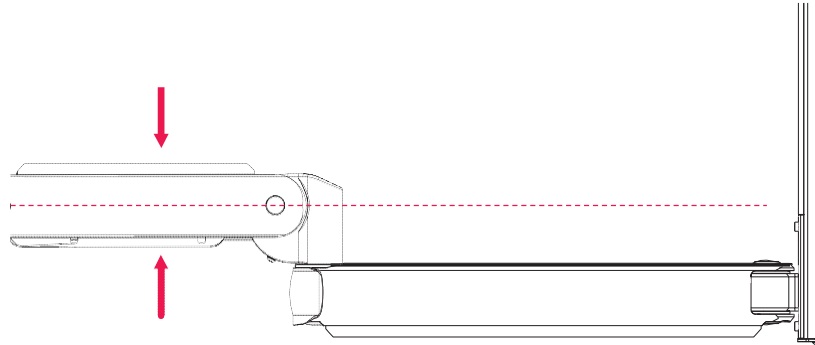
ADJUSTMENTS

RISER ARM VERTICAL TENSION ADJUSTMENT

Adjustments should be made only after all peripherals are installed.

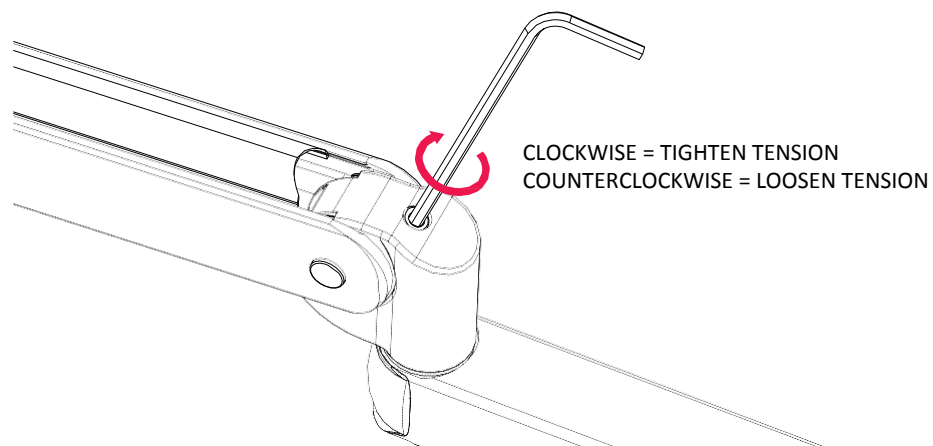
STEP 1

Ensure riser arm is parallel to the floor.



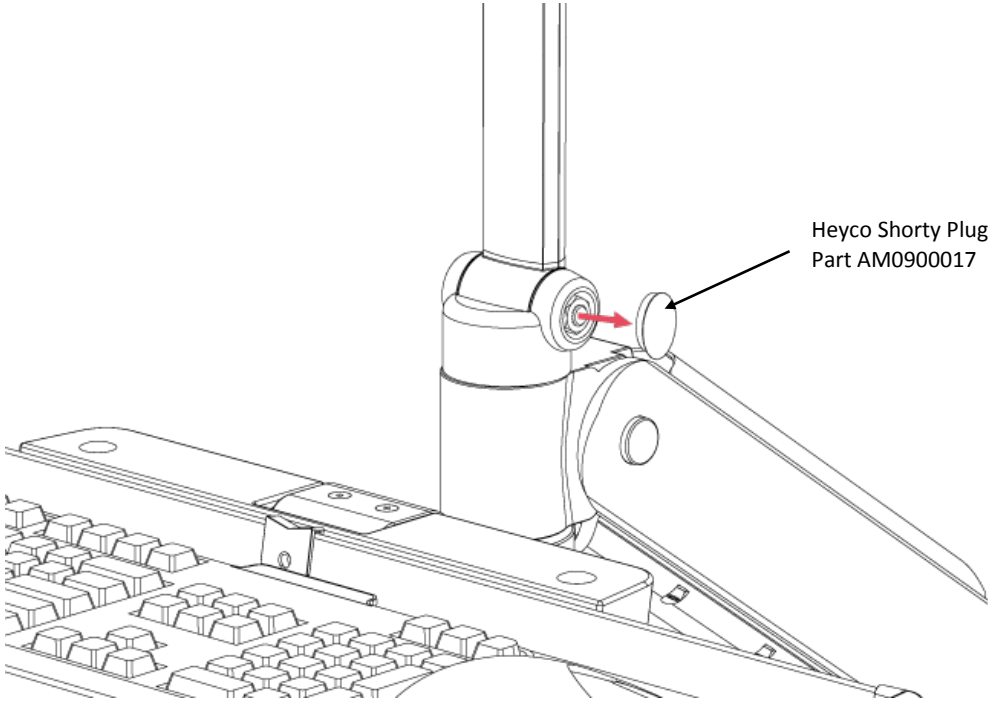
STEP 2

Using 5/16" Allen wrench, adjust screw clockwise or counterclockwise.

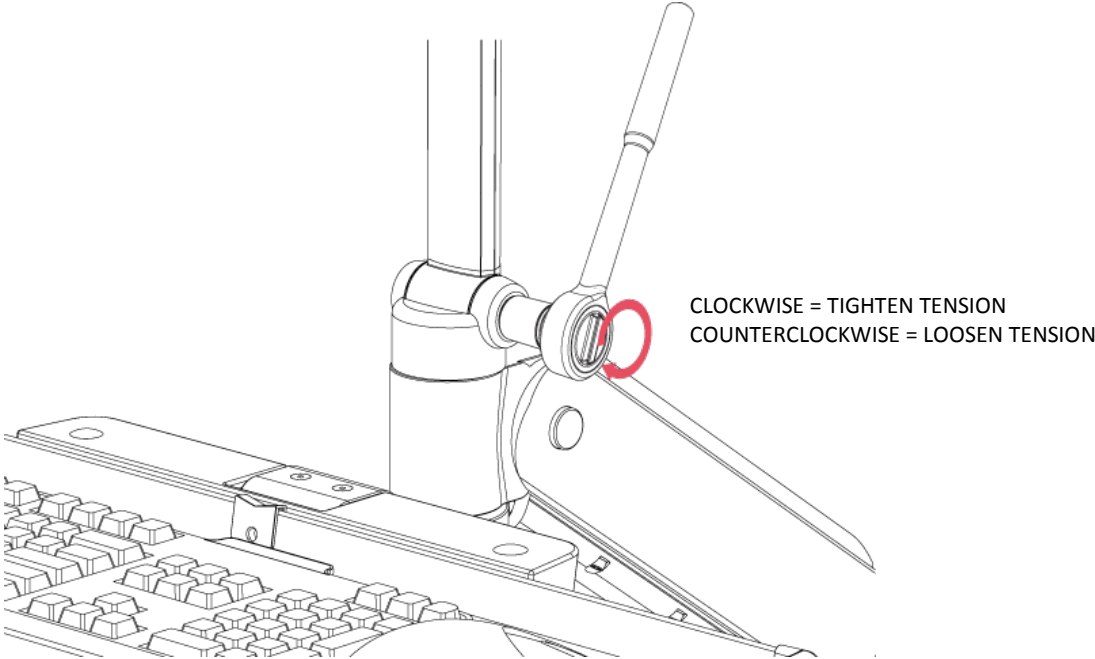


MONITOR POLE TENSION ADJUSTMENT

STEP 1
Remove plastic cover.

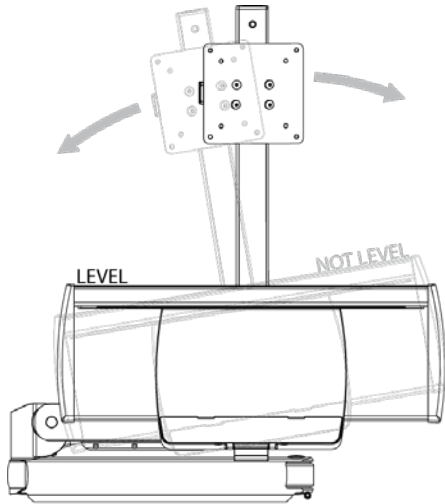


STEP 2
Using a 1/2" socket wrench, adjust nut to tighten or loosen tension.

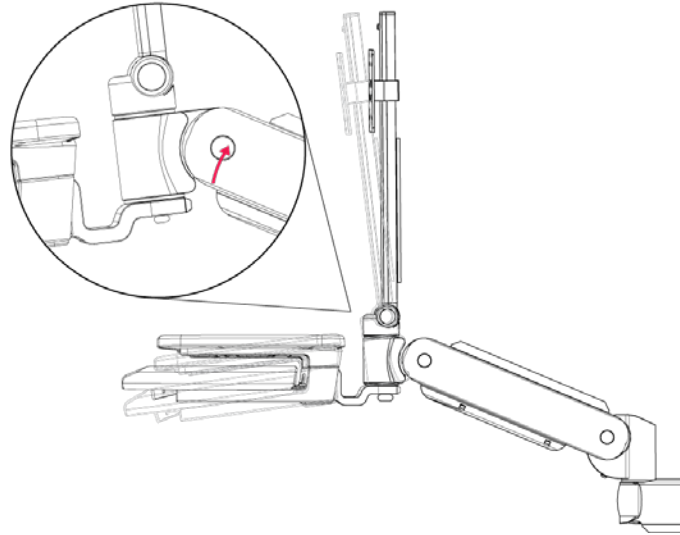


WORK SURFACE AND MONITOR LEVELING

Movement when folded



Movement when extended



STEP 1

With the arm folded as close to the wall as possible, lower riser arm to access set screws.

STEP 2

Using a 1/8" Allen wrench, loosen set screw #1 (approximately 2 – 3 turns). This will unlock the adjustment pin.

STEP 3

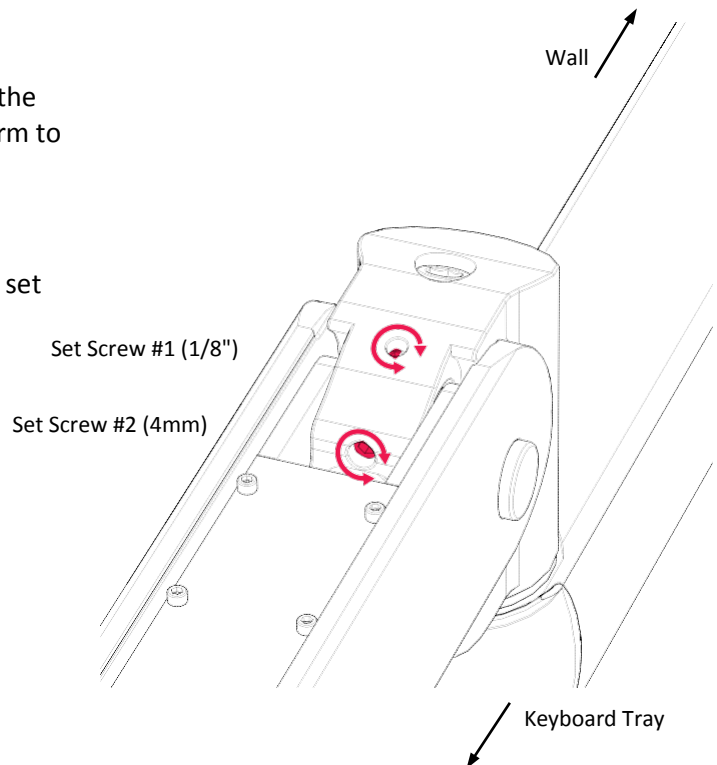
Using a 4mm Allen wrench, turn set screw #2 to the right or left to level. When level, raise the riser arm to its highest position.

STEP 4

With the riser arm in its highest position, tighten set screw #1.

NOTE:

Do not over-tighten set screws.



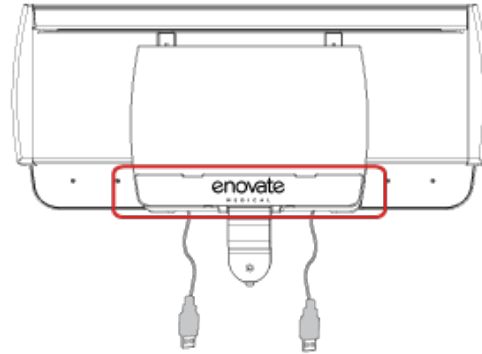
KEYBOARD TILT

STEP 1

Fold Standard Keyboard Tray/eDesk to stored position.

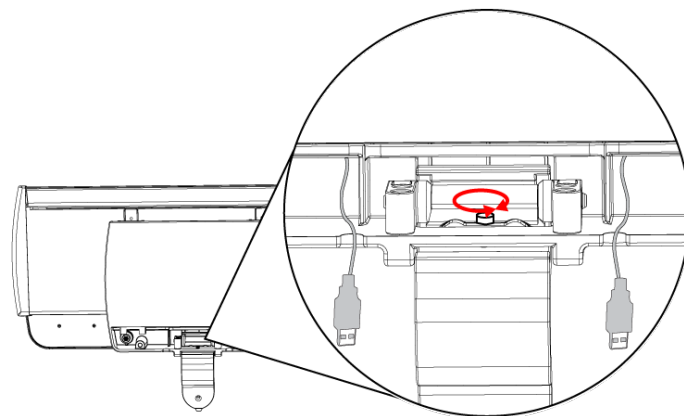
STEP 2

Remove plastic cover plate.



STEP 3

Locate the set screw.

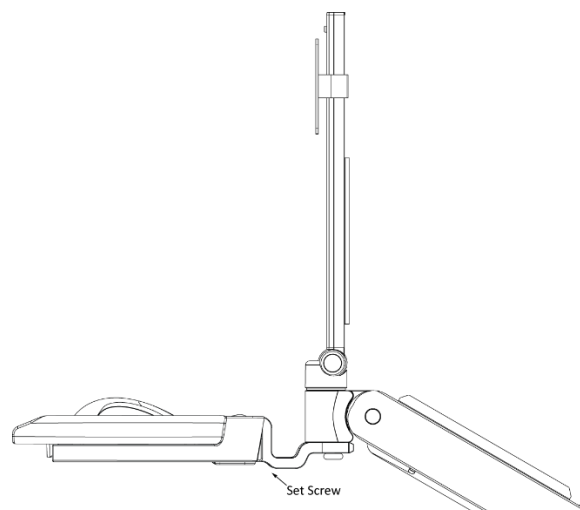


STEP 4

Using a 1/8" Allen wrench, turn the set screw clockwise to the desired position.

STEP 5

Replace plastic cover plate.

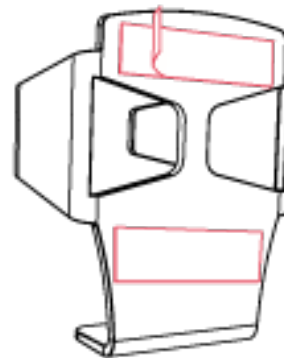


ACCESSORIES

MOUNTING MOUSE HOLDER (STANDARD TRAY)

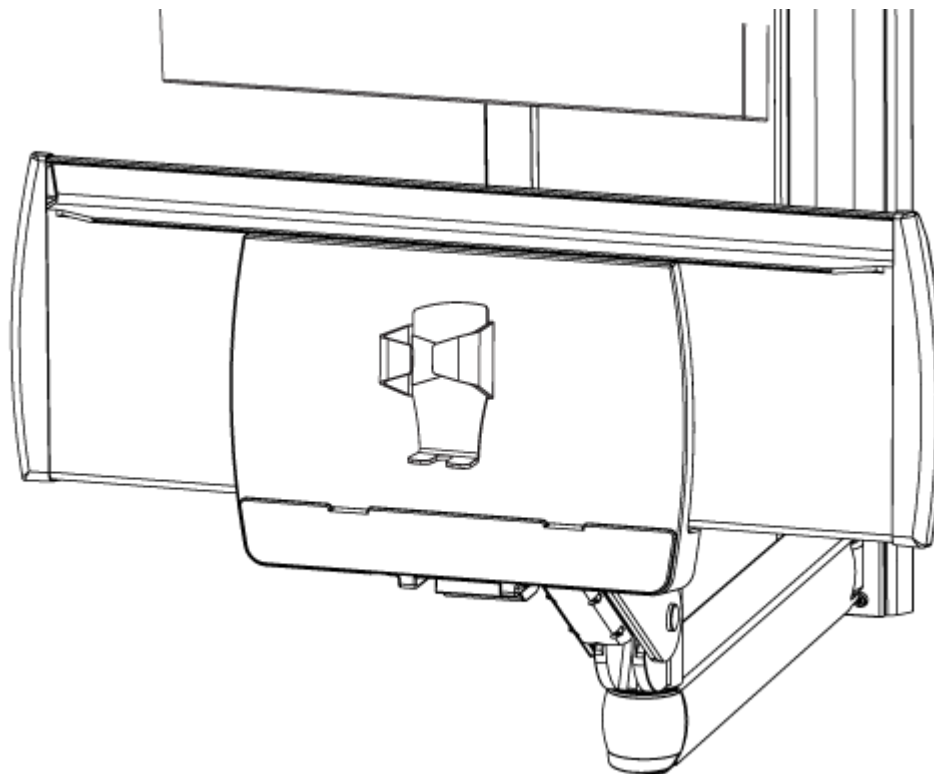
STEP 1

Peel backing from two-sided tape on back of mouse holder.



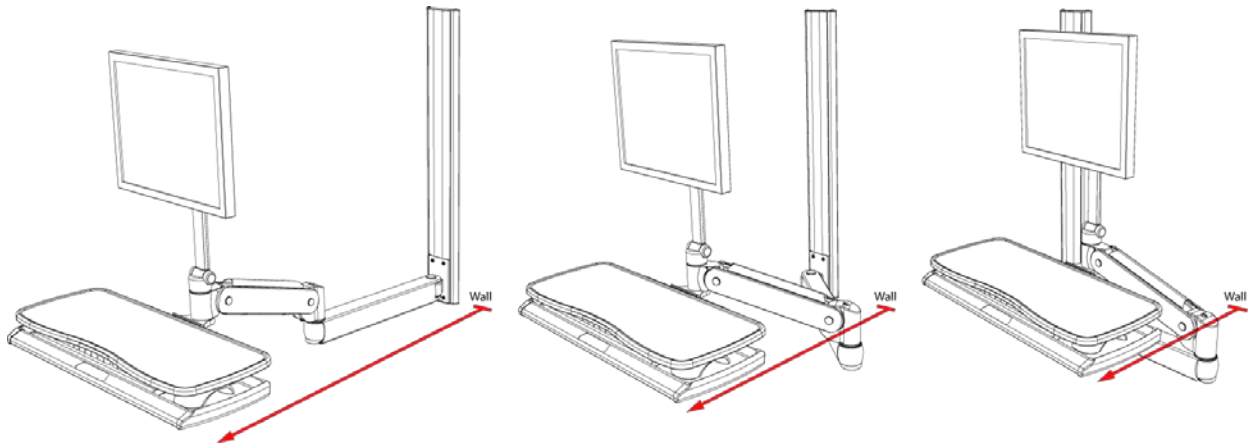
STEP 2

Raise the standard keyboard tray and attach the adhesive mouse holder (see drawing below).



MOVEMENT

ARM EXTENSION

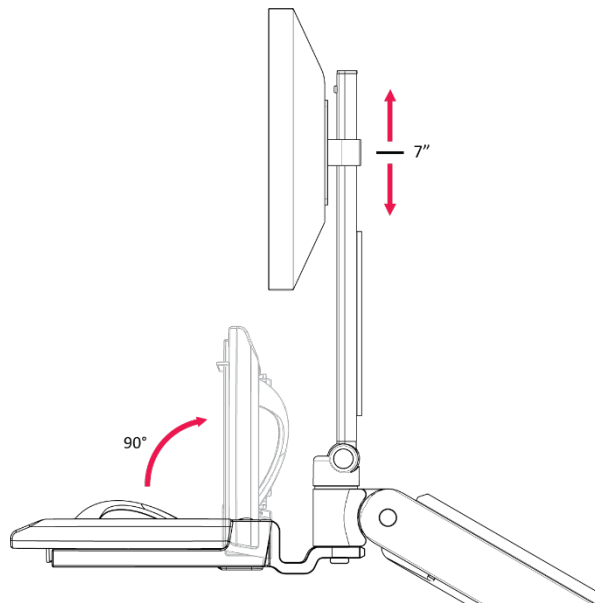


Both arms extended:
57" from wall

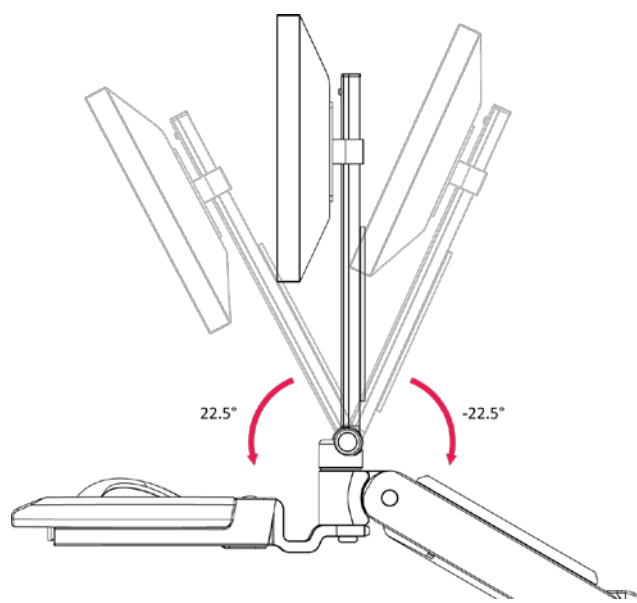
One arm extended:
31" from wall

No extension:
16 3/8" from wall

KEYBOARD TILT

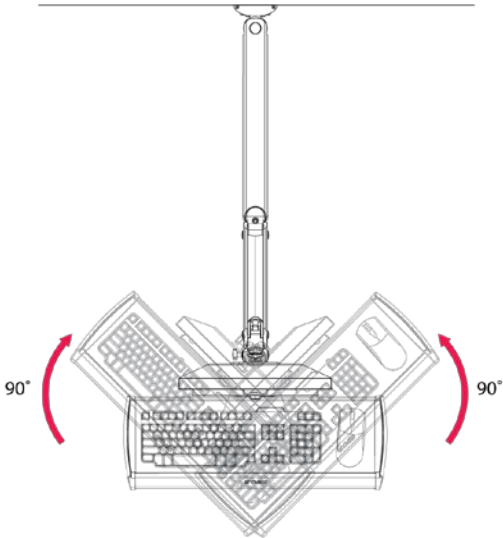
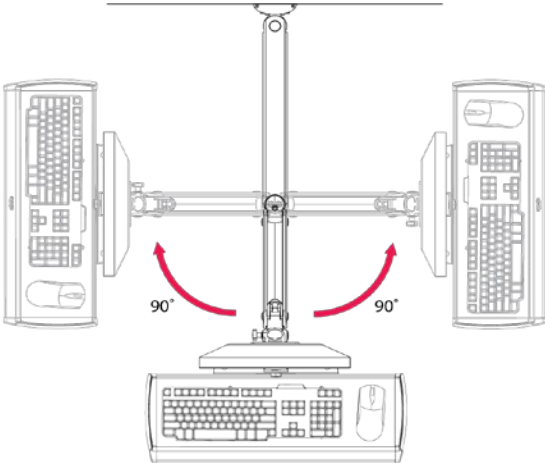
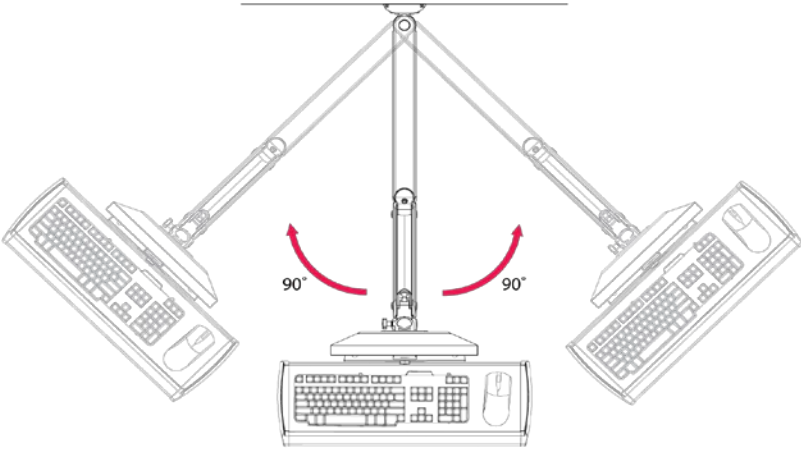


MONITOR TILT*

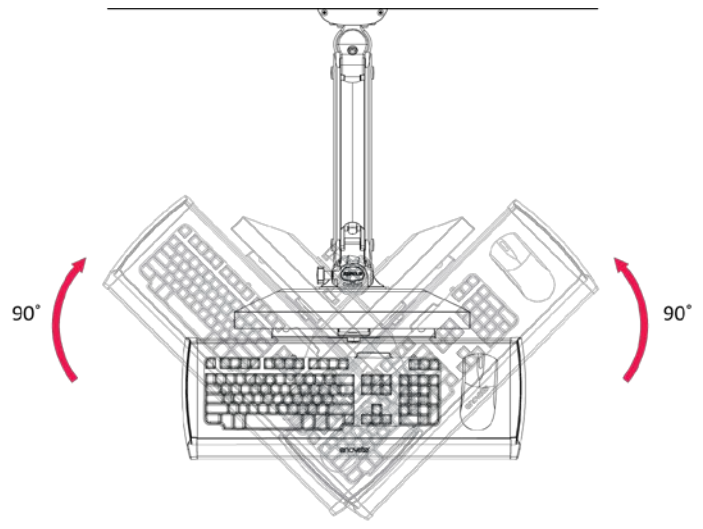
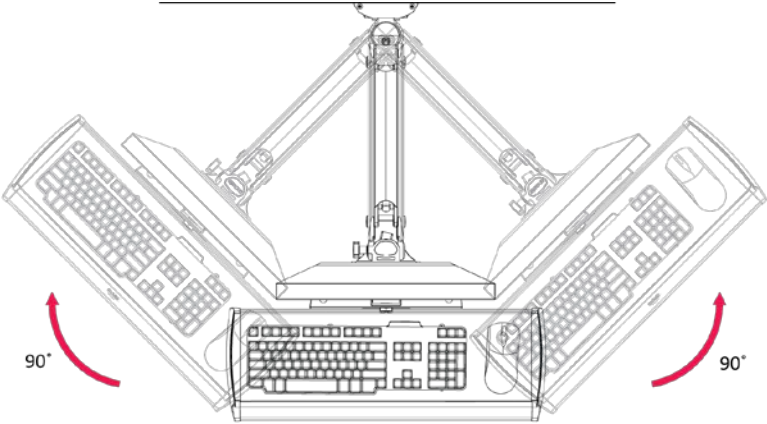


***Note: To maintain monitor tilt action, the weight of the mounted monitor must not exceed 12 lbs. Monitors weighing between 12 lbs. and 20 lbs. (maximum weight) must be mounted in a fixed position with no tilt option.**

RANGE OF MOVEMENT (WITH EXTENSION ARM)



RANGE OF MOVEMENT (NO EXTENSION ARM)



PARTS LIST

PARTS ORDERING:

Contact Enovate Medical Technical Services department at (615) 896-1652, ext. 1 or (888) 909-8930, ext. 1.

Description		Part Number
Adhesive Mouse Pad		AM0100050
Cable Loom		P0000119
Cable Tie Adhesive Pad		WS0900092
CPU Brackets		
Small CPU Bracket		AM0400030
Small Locking CPU Enclosure Box		HC0400884
Large Locking CPU Enclosure Box		HC0400392
Dual Lock Pads		P0000050
eDesk		AM0400100
Extension Arm		AM0400007
Extension Arm Cable Cover		AM0200090
Heyco Shorty Plug		AM0900017
Keyboard Tray, Standard		AM0400102
Monitor Pole Assembly		AM0400003
Monitor Pole Cable Cover		AM0200093
Mouse Holder, Standard Tray		HC0400305
Nut, 3/4-10 Nylock Jam		9114772
Pivot Mount		AM0400012
Riser Arm	700N light duty	AM0400163
	850N medium duty	AM0400157
	1050N heavy duty	AM0400171
Riser Arm Cable Cover		AM0800006
Screws		
Button Head Screw, 10-24 x 1/2"		BHSC 10-24 x .500 x .500 SS
CPU Bracket Thumb Screw		AM0100039
Cross Drive Metal Screw, 1/4" 20 x 2 1/2"		CR-PHMS 1/4-20 x 2.5 x 2.5 ZNC
Hex Head Self Tapping Metal Screw, 1/4"-14 x 2 1/2"		HX-WHDS .25-14 x 2.50 ZNC
Hex Head Wood Screw		HX-WLAG .25 x 4.0 ZNC
Large Slotted Pan Head Screw		AM0700047
Pan Head Screw, M4 x 16mm		CR-PHMS M4 x 0.7 x 16 ZNC
SNAPTOGGLE®		WS0900200
Standoff, #10 x 1/4"		HC0100167
Wall Track	32"	AM0200022
	42"	AM0200098
	48"	AM0200027
Wall Track Cable Cover	32"	AM0200092
	42"	AM0200110
	48"	AM0200109
Wall Track End Cap		AM0700001
Washers		
Wide Flat Washer, 1/4" x 1"		SWFW 1/4 x 1.00 TYPE A ZNC
Phenolic Washer, 1/4" x 1"		PH-WSH .25 x 1.0
Plastic Washer		AM0800009

PARTS INDEX

Adhesive Mouse Pad.....	6, 17
Button Head Screw	8, 11, 12, 13
Cable Cover	6, 21
Cable Loom	8, 21
Cable Tie Adhesive Pad.....	8, 19
CPU Bracket, Small.....	7, 22
Cross Drive Metal Screw	8, 13
Dual Lock Pads.....	8, 17
eDesk	5, 7, 15, 19, 26
Extension Arm.....	7, 14, 16, 21, 29
Hex Head Self Tapping Metal Screw	8, 11
Hex Head Wood Screw	12
Keyboard Tray, Standard	6, 15, 17, 18, 19, 20, 26
Large Slotted Pan Head Screw	8, 16
Locking CPU Enclosure Box	7
Monitor Pole Assembly.....	6, 15, 17, 21, 24
Mouse Holder	6, 27
Nylock Jam Nut	8, 15
Pan Head Screw, M4 x 16mm	8, 17
Phenolic Washer	8, 11, 12
Pivot Mount	6, 14, 15, 16
Plastic Washer	8, 15, 16
Riser Arm	5, 6, 15, 21, 23, 25
SNAPTOGGLE®	8, 10, 13
Standoff	8, 17
Thumb Screw	7, 22
Wall Track	6, 10, 11, 12, 13
Wall Track Cable Cover	6, 10, 21
Wall Track End Cap	6, 11, 12, 13
Wide Flat Washer	8, 11, 12

1152 Park Avenue
Murfreesboro, TN 37129
p. (888)909-8930 f. (615)896-8906
www.enovatemedical.com

IM004-02 10.18.16 ©2016 Enovate Medical, Inc.

enovate
M E D I C A L