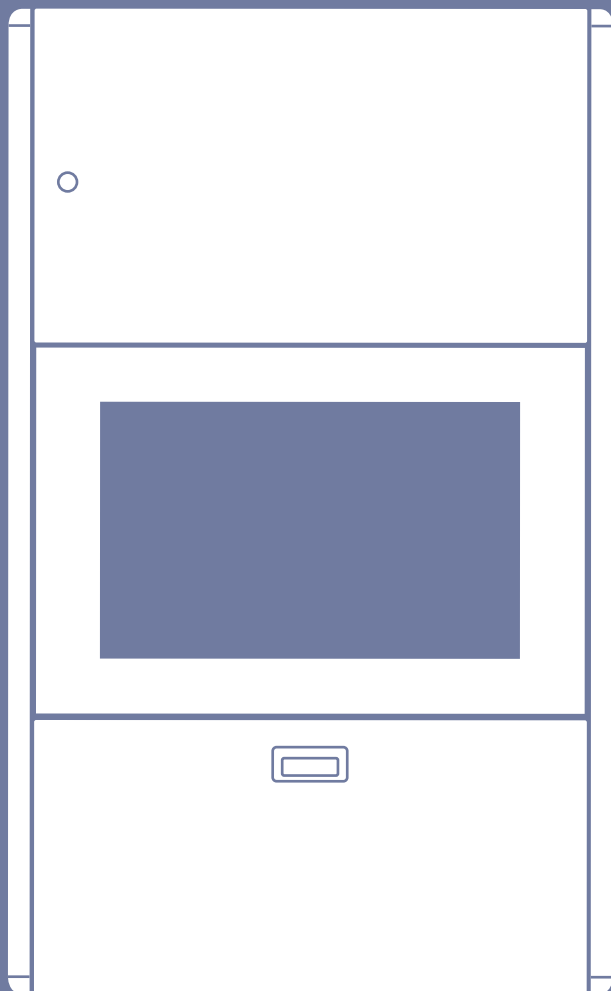


e750

Wallstation



The Enovate Medical e750 Wallstation was designed to set a new standard in quality. Enovate Medical's goal is to provide a wallstation ready for years of use and backed by a commitment of exemplary service and support.

Thank you for purchasing the
Enovate Medical e750 Wallstation!





IMPORTANT WARNINGS:

Read the entire installation manual before you begin.

MOUNTING

Installer must verify that the entire wall will safely support the combined weight of all attached equipment and hardware. Improper installation of this product can cause extensive property damage or serious personal injury, either during or after installation. It is the responsibility of the installer to ensure that all applications including wood, concrete, block, brick, steel, etc are secured properly and are in compliance with local and national building codes. California installations could require specific anchorage, and additional mounting screws. Check with local authorities for codes in your area. Other seismic states have similar regulations.

WARNING: Because wall surfaces and construction methods and materials vary, it is imperative that you consult with the appropriate engineering, architectural or construction professional to ensure that your Wall computing station is mounted properly to handle the applied loads.

ELECTRICAL SHOCK HAZARD

Cutting or drilling into electrical wires and cables can cause **FIRE, DEATH or SERIOUS PERSONAL INJURY!** Always make certain the area behind the mounting surfaces is free of electrical wires and cables before drilling into wall.

EXPLOSION AND FIRE HAZARD

Drilling into gas plumbing can cause **EXPLOSION, FIRE, DEATH or SERIOUS PERSONAL INJURY!** Always make certain the area behind the mounting surface is free of gas, water, waste, or any other plumbing before drilling.

GROUNDING

Connect the Enovate Medical Wall Station to a grounded receptacle

SERVICE AND REPLACEMENT

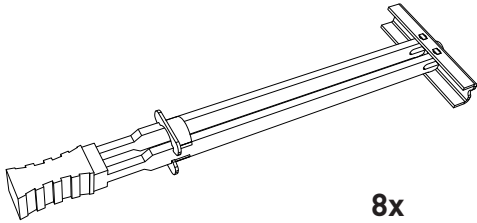
Do not attempt to service or replace any part of the Enovate Medical Wall Station unless directed to do so through Enovate Medical approved documentation (i.e., this User Manual or other instructions). Only Enovate Medical or an Enovate-certified entity may service or replace the wall station components. If any component on the wall station is missing or damaged, the wall station must not be used. Contact Enovate Medical immediately to request service.

If the unit is not working properly, please contact Enovate Medical Customer Service toll free at 888.909.8930 or by email at support@enovatemedical.com.

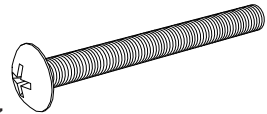
1	WELCOME
2	WARNINGS
4	HARDWARE
6	MOUNTING
10	HEIGHT RESTRICTION BRACKET
12	COMPONENT INSTALLATION
14	UNIVERSAL CPU BRACKET
15	ADJUSTMENTS
16	CABLE MANAGEMENT
19	KEYPAD OPERATIONS <i>(Lift &/or Locking Units Only)</i>

Hardware

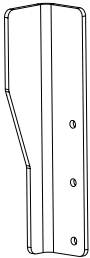
HARDWARE INCLUDED



4x
SNAPTGGLE® Anchor



8x
#10 x 2 1/2"
Pan Head Screw



1x
Height Restriction Bracket
(Lift Models Only)



2x
1/4-20 x 3/4"
Button Head Screw
(Lift Models Only)



4x
M4 x 12mm
Pan Head Screw



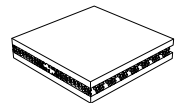
4x
#10 x 1/4"
Standoff



4x
M4 x 16mm
Pan Head Screw

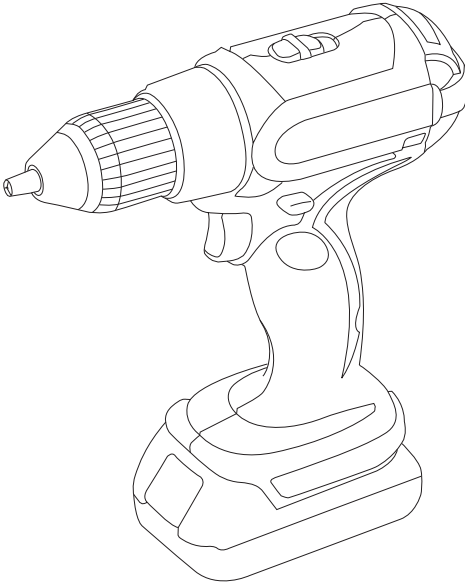


10x
Cable Tie
& Adhesive Pad

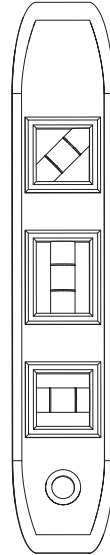


4x
Dual Lock Pads

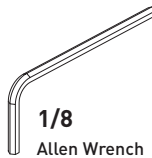
TOOLS NEEDED



Drill



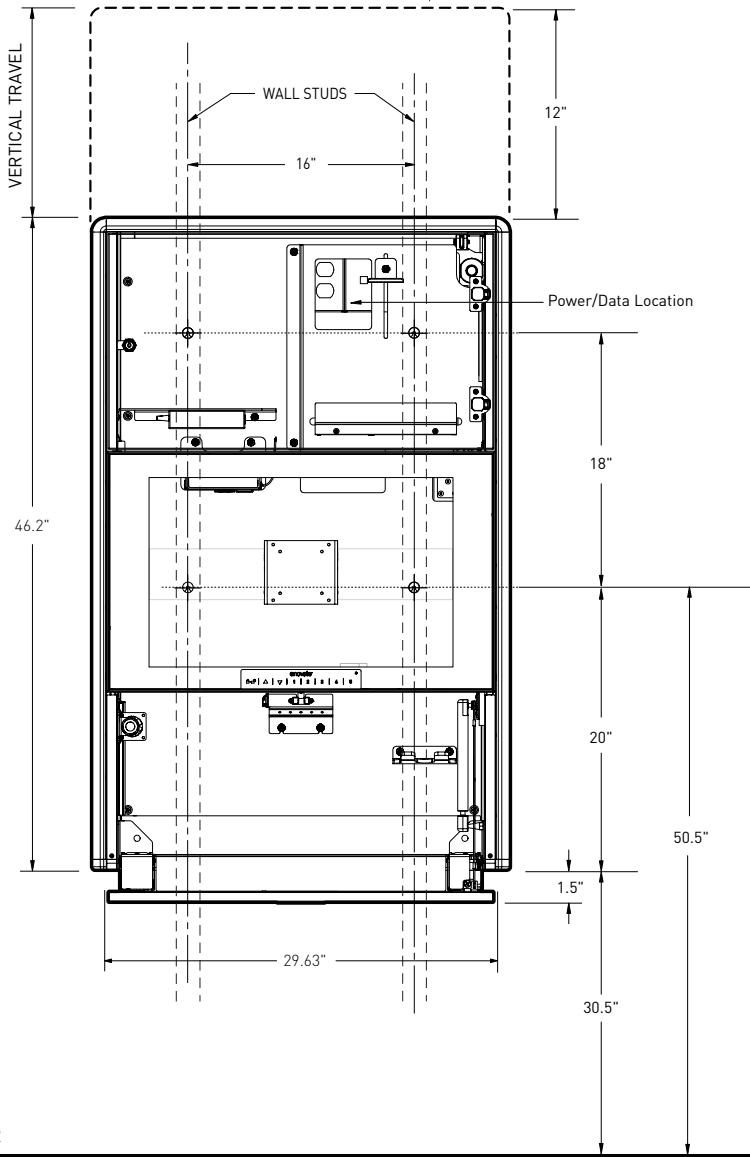
Level



1/8
Allen Wrench

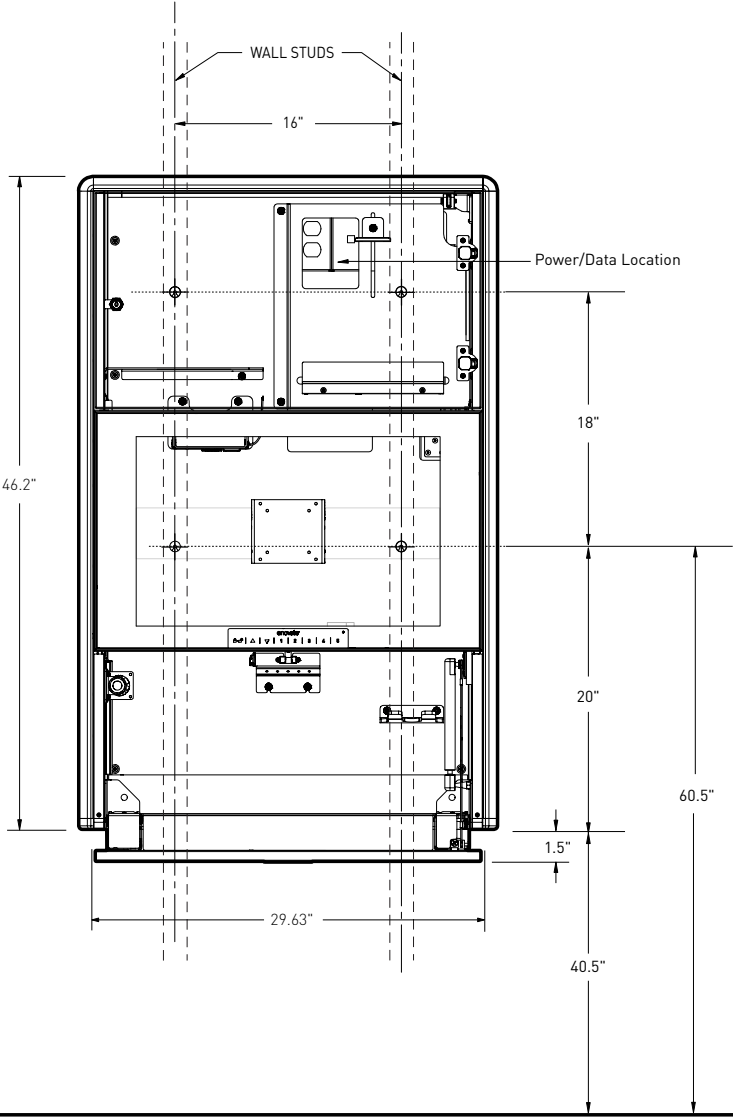
e750 with eLift Mounting Diagram

NOTE: It is recommended that the e750 is mounted to wall studs.



e750 Non-Lift Mounting Diagram

NOTE: It is recommended that the e750 is mounted to wall studs.



Mounting

In-Room Installation

STEP 1

Determine your desired keyboard height. The dimensions on drawing (see page 6 and 7) are shown for a keyboard height range of 30.5" to 42.5". Adjust dimensions as required for desired height.

STEP 2

Locate the exact center line of the wall studs.

STEP 3

Using a level, mark two horizontal lines at the distance from finish floor shown on the drawing on page 6 and 7.

STEP 4

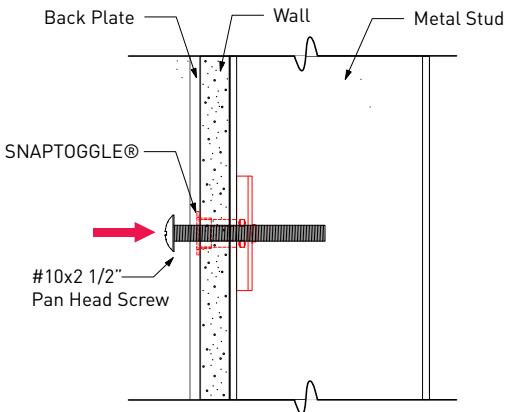
Drill (4) 1/2" holes through the center of the wall studs and install (4) SNAPTOGGLE® brand metal stud wall anchors. (See wall anchor installation instructions on page 9.)

STEP 5

Screw Wallstation to the wall using the #10 Pan Head Screws provided. Check the Wall Station for level before tightening completely.

NOTE: Remove the monitor mounting bracket for easy access to the mounting key holes

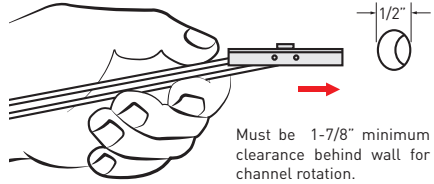
METAL STUD MOUNTING



SNAPTOGGLE® METAL STUD ANCHOR INSTALLATION

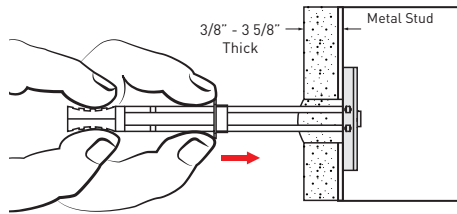
STEP 1

Drill a 1/2" hole through center of metal stud. Hold metal channel flat alongside plastic straps and slide channel through hole.



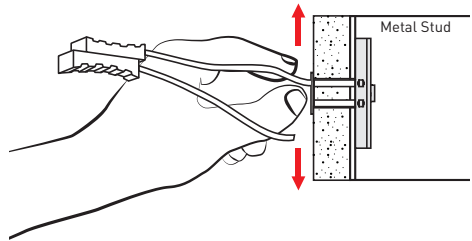
STEP 2

Hold ends of straps between thumb and forefinger and pull toward you until channel rests flush behind wall. Slide plastic cap along straps with other hand until flange of cap is flush with wall.



STEP 3

Snap straps at wall by pushing side to side, snapping off straps level with flange of cap.



Patented under one or more of the following U.S. Patent Nos.: 4,993,901; 5,028,186; 5,161,296; 5,938,385; 6,161,999; 7,144,212; 7,320,569; and foreign counterparts thereof and of 4,650,386 and 4,752,170. Other patents pending.

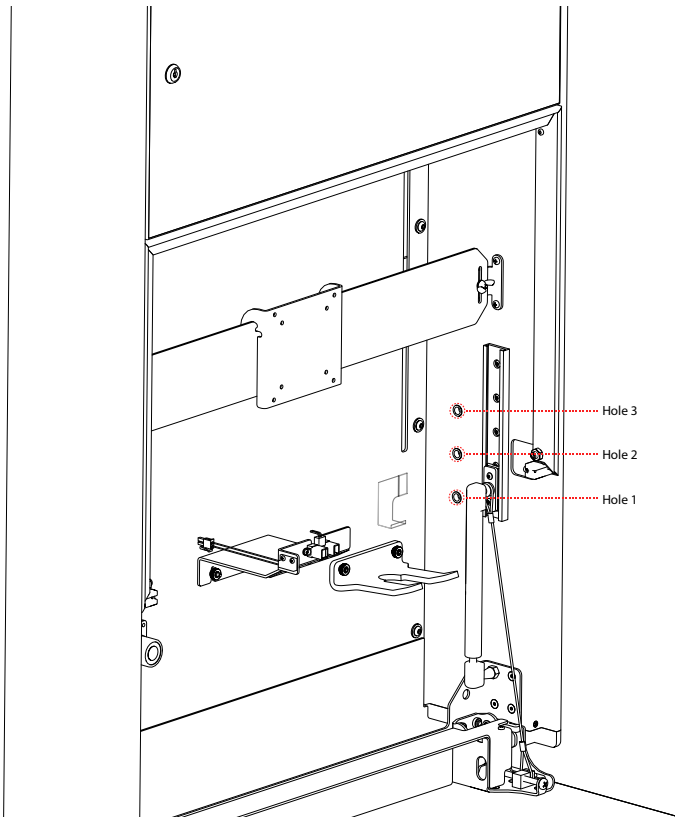
TOGGLER and typeface, symbol, TA, TB, TC, TH, ALLIGATOR, SNAPTOGGLE, and SnapSku are worldwide registered trademarks of Mechanical Plastics Corp.

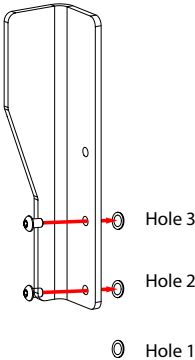
(eLift Models Only)

Height Restriction Bracket - Optional

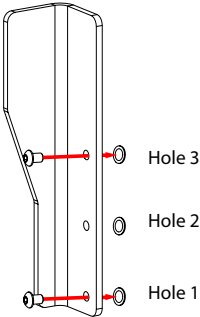
The e750 has an optional height restriction bracket that can be installed if there is a low ceiling condition where vertical travel is limited. Refer to the following diagrams for three mounting options. **The height restriction bracket should only be used to prevent ceiling damage. When the wallstation comes into contact with the bracket it will shut the unit off.**

Height restriction bracket mounting holes

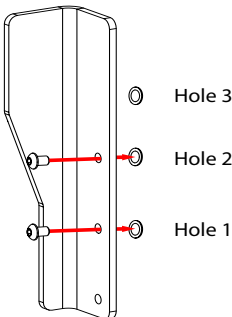




OPTION 1
Restricts vertical movement to 6" total.



OPTION 2
Restricts vertical movement to 8" total.



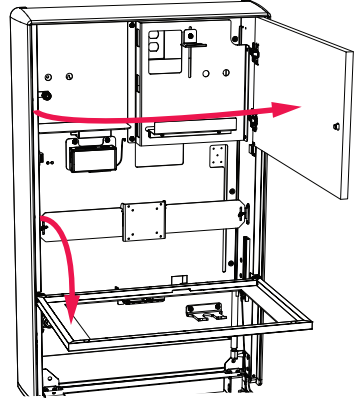
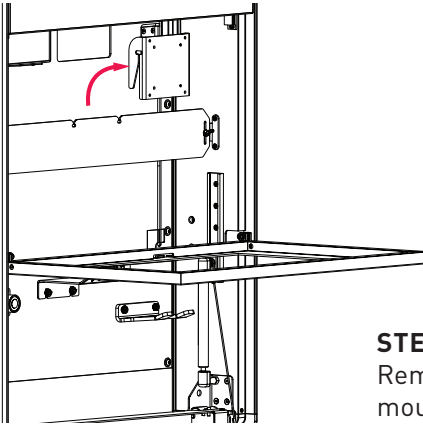
OPTION 3
Restricts vertical movement to 10" total.

Component Installation

MONITOR INSTALLATION

STEP 1

Unlock and open the component door and display glass.

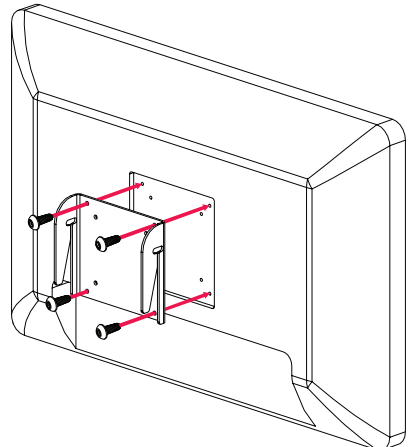


STEP 2

Remove VESA plate from the monitor mounting bracket.

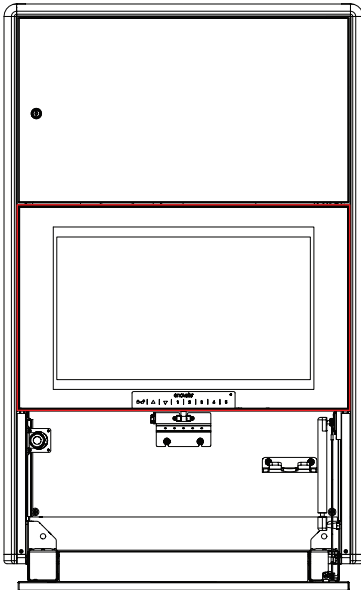
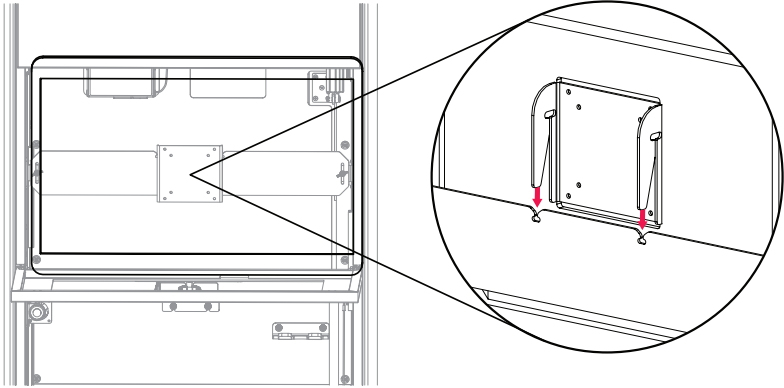
STEP 3

Mount the VESA plate to monitor using the (4) M4x12 pan head screws provided.



STEP 4

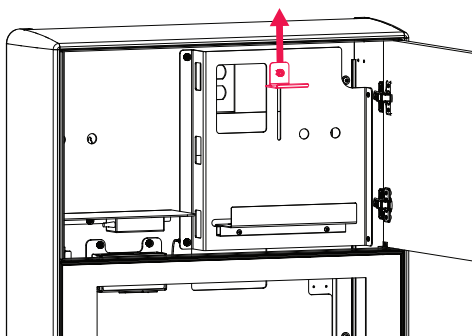
Place the monitor and attached VESA plate back into the monitor mounting bracket. (PLUG VGA CABLE TO PC AND POWER CORD FROM WCC CONTROLLER INTO MONITOR SEE PAGE 16)

**STEP 5**

Close the display glass

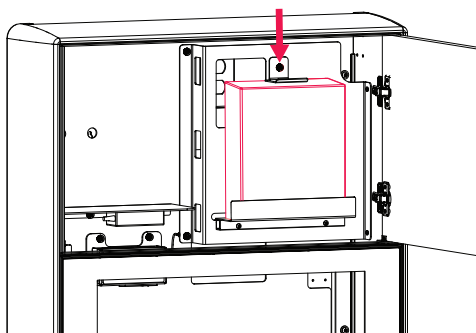
CPU Bracket

The e750 is equipped with a universal CPU bracket that will accommodate CPU's with maximum dimensions of 10.5"x 10.75"x 2.6".



STEP 1

Loosen thumb screw and move CPU bracket to its upper most position.



STEP 2

Put the CPU in place.

STEP 3

Loosen thumb screw and move the CPU bracket so it snugly holds the CPU in place. Tighten thumb screw.

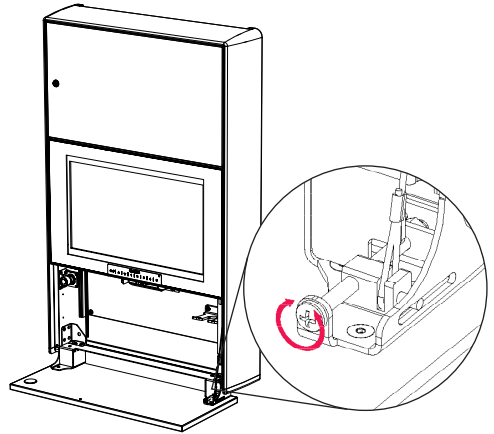
Adjustments

KEYBOARD TRAY GAS SPRING ADJUSTMENT

STEP 1

To adjust the keyboard tray closing tension, turn adjustable gas spring bracket screw. Turn clockwise to increase tension and counterclockwise to decrease tension.

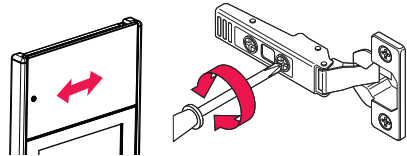
NOTE: Do not over adjust as this may defeat the closing mechanism.



ADJUSTING THE CPU DOOR HINGES FOR PROPER DOOR ALIGNMENT

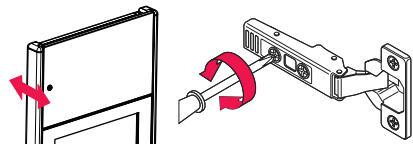
LATERAL ADJUSTMENT

Turn front spiral-tech cam screw to increase or decrease door overlay.



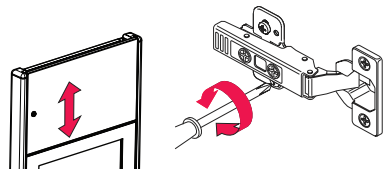
DEPTH ADJUSTMENT

Turn rear spiral-tech cam screw to adjust door position.



HEIGHT ADJUSTMENT

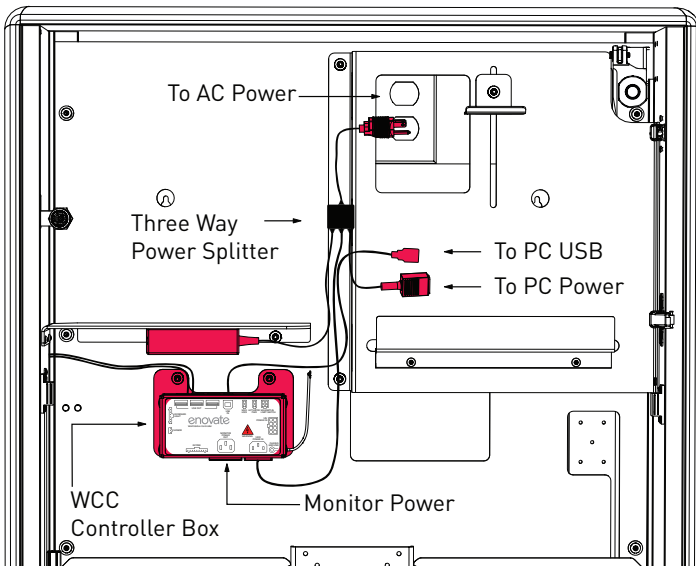
Rotate cam screw on plate to adjust door position



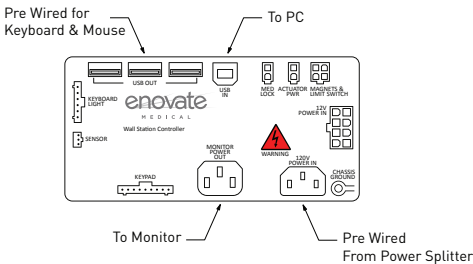
Cable Management

Cable Management eLIFT

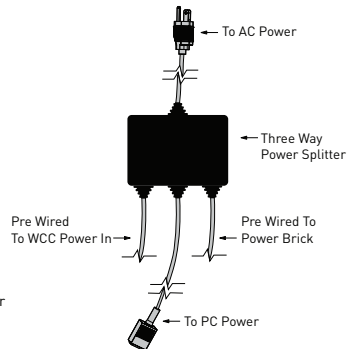
1. Attach the USB cable from the WCC Controller Box to the PC.
2. Plug LCD VGA cable into CPU.
3. Plug the power from the three way splitter to the PC Power (skip to page 18).



WCC - CONTROLLER BOX

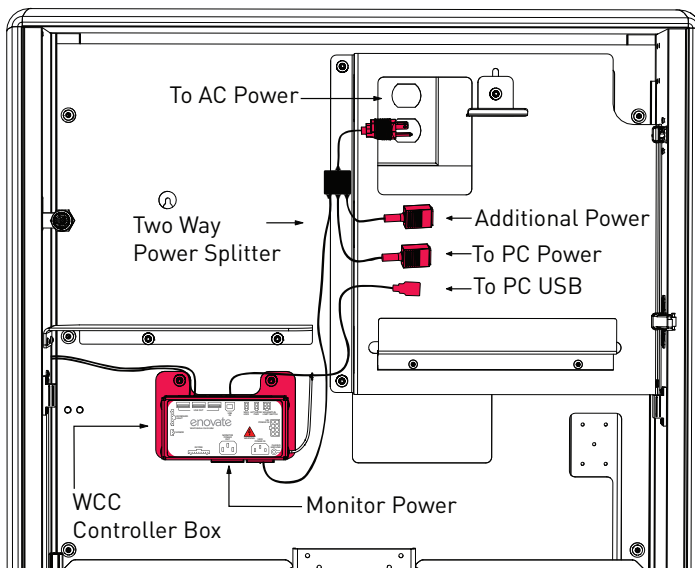


THREE WAY SPLITTER

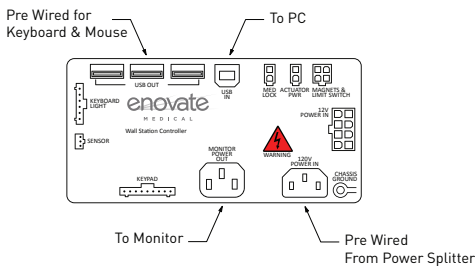


Cable Management NON-LIFT

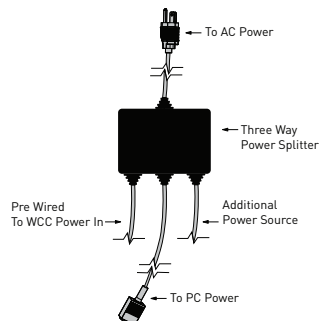
1. Attach the USB cable from the WCC Controller Box to the PC.
2. Plug LCD VGA cable into CPU.
3. Plug the power from the two way splitter to the PC Power.



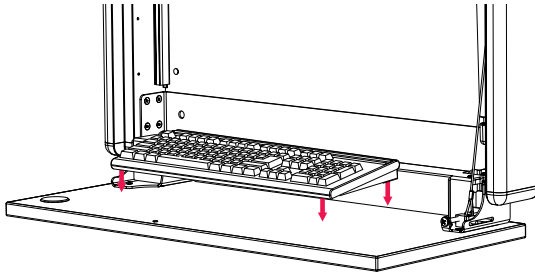
WCC - CONTROLLER BOX



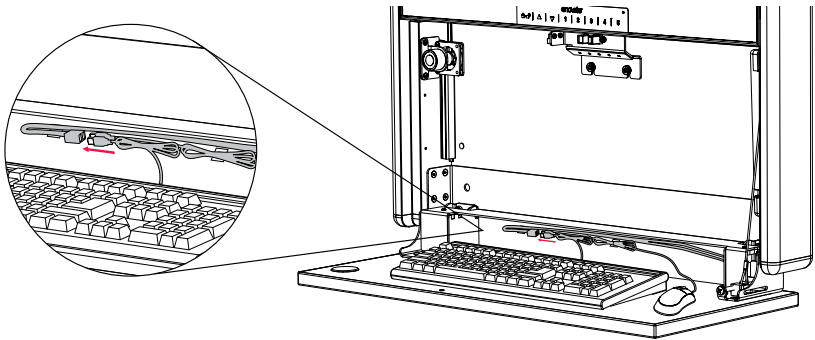
THREE WAY SPLITTER



-
4. Mount keyboard to keyboard tray with supplied 3M™ Dual Lock™ Squares. **Be sure keyboard does not cover round metal plate.**



5. Plug keyboard and mouse into the USB hub that is pre-wired into the keyboard tray.



Cleaning Instructions:

- Use non abrasive cleaners or mild cleaning solutions.
- Do not use abrasive cleaners, solvents, polishes, waxes or steam cleaning tools.
- As a precaution to test the suitability of a cleaning product, apply to an inconspicuous area, minimizing the time of exposure and the amount of cleaning agent (diluting as recommended by the supplier) in order to prevent any damage to the surface.
- Contamination by intensively colored substances, for example coffee, mustard, curry or red wine, have to be removed immediately.

Keypad Operations

(Electronic Lift &/or Locking Units Only)





Keypad

There are five keys that are used to enter 5-digit PIN codes.

LED

A single multi-color LED on the keypad provides feedback to the user as key sequences are pressed. The LED can appear as green or red.

LED COLOR		FLASH ONCE	FLASH TWICE
Green		Each key press	Successful operation
Red		N/A	Failed operation or timeout

Master Code

There is one, 5-digit Master PIN Code for use by the system administrator. The Master Code is used to assign User PIN Codes and for other maintenance functions.

The factory default Master Code is 12345.

User PIN Codes

Up to 100, 5-digit PIN Codes can be assigned for use by hospital personnel to access the wall cabinet keyboard. When a user enters their valid PIN code, the keyboard drawer unlocks and can be opened by user to allow access. Additionally the LCD monitor is turned on and additional keys on the keypad become enabled for adjusting the height of the wall unit, turning on the optional keyboard light and for closing the keyboard drawer.

The factory default User PIN Code is 54321.

Reserved PIN Codes

The following PIN codes are reserved for administrative usage. These codes cannot be assigned as either the Master Code or as a User PIN Code.

PIN CODE	DESCRIPTION
13321	Turn on USB. Keypad behaves like a keyboard for the PC.
13322	Turn off USB.
13323	Set the Open mode.
13324	Set the Close mode.
13325	Reserved for future use.
13331	Set the keyboard light opening state.
13332	Set the proximity sensor delay time.
13333	Report configuration over USB (to a text editor).
13334	Reserved for future use.
13335	Reserved for future use.
13341	Delete a user PIN code.
13342	Delete all user PIN codes and restore default user PIN code 54321.
13343	Set the keyboard tray unlock time.
13344	Add a user PIN code.
13345	Reserved for future use.
13351	Enter the bootloader to upgrade the embedded firmware.

Factory Defaults Summary - For Locking Units



All units are shipped from the factory with the following default values:

ITEM	DEFAULT VALUE
Master Code	12345
User PIN Code	54321
Keyboard Tray Unlock Time	2 seconds
USB Interface	On
Keyboard Light Opening State	On
Proximity Sensor Delay Time	30 seconds
Open Mode	User PIN only
Close Mode	Prox timeout, Close switch or door close.

USER FUNCTION



LOCKING KEYBOARD TRAY - PIN

TO OPEN:

1. Enter your assigned PIN code, wait until green light flashes.
(DO NOT PRESS THE   BUTTON)
2. Pull keyboard tray down.
3. Log on to computer.

NOTE: You must be standing in front of the wallstation for keyboard tray to remain open.

TO CLOSE:

1. Log off computer.
2. Slide mouse toward back of keyboard tray, away from edge.
3. Press   to close keyboard tray.



NON LOCKING KEYBOARD TRAY

TO OPEN:

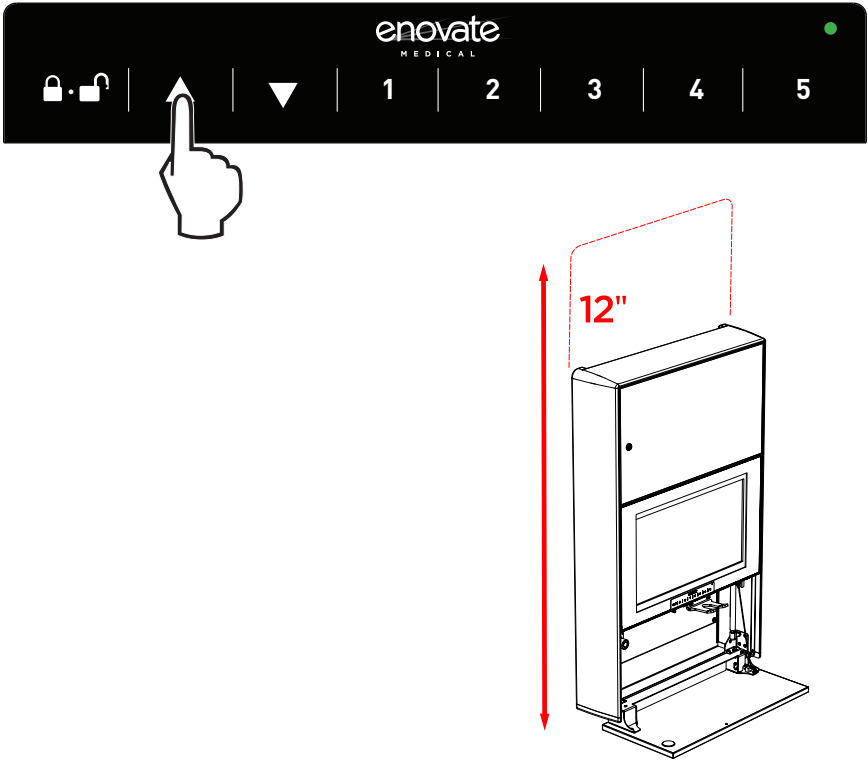
1. Pull keyboard tray down.
2. Log on to computer.

NOTE: You must be standing in front of the wallstation for keyboard tray to remain open.

TO CLOSE:

1. Log off computer.
2. Slide mouse toward back of keyboard tray, away from edge.
3. Press   to close keyboard tray.

(eLift Models Only)



Adjusting the Wall Unit Height

1. Press and hold the Up or Down switch to adjust the height of the wall unit. There is a 12" height adjustment from the lowest keyboard height unless the height restriction bracket has been installed.

Activating the Keyboard Light

1. Press the **enovate** logo on the keypad to turn the light on.
2. Press the **enovate** logo again to turn the light off.

Administrative Functions

All code entries require five key presses. Too few or too many key presses will result in a failed operation. **NOTE:** All administrative functions must be completed with the keyboard tray in the closed position.

Please note that in all of the following examples it is advised to have all key strokes written down for the desired operation. **If there is a pause of 2 seconds or longer between any two keys the red LED will flash twice to indicate a failure.** To cancel an operation, stop pressing keys and let the operation fail due to a timeout. When an operation completes successfully there will be two green flashes.

Changing the Master Code

1. Enter the current Master Code.
2. Enter the current Master Code again.
3. Enter the new Master Code.
4. Pause for 2 seconds.
5. The green LED flashes twice for success. The new Master Code has been saved and activated.

IMPORTANT: RECORD YOUR MASTER CODE AND SAVE IT IN A SAFE PLACE.

Adding a User PIN Code

1. Enter the Master Code.
2. Enter 13344.
3. Enter the PIN Code to add.
4. Pause for 2 seconds.
5. The green LED flashes twice for success. The PIN Code has been saved and activated.

Deleting a User PIN Code

1. Enter the Master Code.
2. Enter 13341.
3. Enter the PIN Code to delete.
4. Pause for 2 seconds.
5. The green LED flashes twice for success. The PIN Code has been deleted.

Deleting All User PIN Codes and Restoring the Default PIN Code

1. Enter the Master Code.
2. Enter 13342.
3. Pause for 2 seconds.
4. The green LED flashes twice for success. All User PIN Codes have been deleted and the factory default PIN code 54321 restored.

How to Turn On the USB Interface

1. Enter the Master Code.
2. Enter 13321.
3. Pause for 2 seconds.
4. The green LED flashes twice for success. The new state has been saved and activated. When the USB interface is turned on, key presses will be sent to the PC over USB just like a standard keyboard.

How to Turn Off the USB Interface

1. Enter the Master Code.
2. Enter 13322.
3. Pause for 2 seconds.
4. The green LED flashes twice for success. The new state has been saved and activated

How to Set the Keyboard Light Opening State

1. Enter the Master Code.
2. Enter 13331.
3. Enter 11111 to turn the light on, or 11112 to turn the light off at open.
4. Pause for 2 seconds.
5. The green LED flashes twice for success. The new opening state has been saved and activated

How to Set the Open Mode for the Unit

1. Close the keyboard tray by pressing the Close switch.
2. Enter the Master Code.
3. Enter 13323.
4. Enter the Open Code for the desired Open Mode from table below.
5. Pause for 2 seconds.
6. The green LED flashes twice for success. The new Opening mode has been saved and activated.

OPEN MODE	DESCRIPTION	OPEN CODE
1	Open by User PIN only.	11111
2	Open by User PIN or Close button press.	11112
3*	Open by pulling down the keyboard tray.	11113

* Option 3 is for non-locking units only.

How to Set the Close Mode for the Unit

This option determines when the monitor will turn off. The first option turns the monitor off when the proximity sensor timeout period expires due to the user walking away, the user pushes the Close button, or the keyboard tray is closed by the user. The second option turns off the monitor only when the keyboard tray is actually closed all the way.

1. Close the keyboard tray by pressing the Close switch.
2. Enter the Master Code.
3. Enter 13324.
4. Enter the Close Code for the desired Close Mode from the table below.
5. Pause for 2 seconds.
6. The green LED flashes twice for success. The new Closing mode has been saved and activated.
7. Press the Close switch.

CLOSE MODE	DESCRIPTION	CLOSE CODE
1	Prox Timeout, Close Switch or Door Close.	11111
2	Door Close.	11112

How to Set the Proximity Sensor Delay Time

1. Enter the Master Code.
2. Enter 13332.
3. Enter the 5-digit time code for the required delay time from the table below.
4. Pause for 2 seconds.
5. The green LED flashes twice for success. The new Delay Time has been saved and activated.

DELAY TIME	TIME CODE	DELAY TIME	TIME CODE
3 sec	11111	2 min	11131
5 sec	11112	3 min	11132
7 sec	11113	4 min	11133
10 sec	11114	5 min	11134
15 sec	11115	7 min	11135
20 sec	11121	10 min	11141
30 sec	11122	12 min	11142
40 sec	11123	15 min	11143
50 sec	11124	20 min	11144
60 sec	11125	Disabled	11145

How to Set the Proximity Sensor Range

1. Enter the Master Code.
2. Enter 13325.
3. Enter the 5-digit range code for the proximity sensor from the table below
4. Pause for 2 seconds.
5. The green LED flashes twice for success. The new range has been saved and activated.

RANGE		RANGE CODE
INCHES	CM	
20	51	11111
30	76	11112
40	102	11113
50	127	11114
60	152	11115

How We Help You

Support services provided along with the standard warranty must be requested within the expressed warranty time frame for the product element.

- Technical support may request customer collaboration and assistance during diagnosis to provide for next business-day service resolution. Typically, this requires, but is not limited to:
- Identifying a primary contact representative (with phone number and e-mail address) to work with Enovate Medical and answer relevant questions.
- Providing the serial ID number and access to the product.
- Performing basic troubleshooting activities as directed by Enovate Medical's Technical Support.

Resolution methods can include, but are not limited to, any of the following:

- Verbal/written instructions to correct the problem.
- Shipping of replacement parts OR a product swap.
- On-site dispatch of an Enovate Medical authorized service technician.

If needed, Enovate Medical will involve its design engineers or supplier partners for resolution assistance and customer's satisfaction. Determination for resolving warranty issues will be at Enovate Medical's sole discretion.

Technical Support Assistance

Service requests can be made at any time via Enovate Medical's support website or by phone:

- 1-888-909-8930
- www.enovatemedical.com/support
- Support hours are Monday – Friday, 8 am – 6 pm ET (except holidays).

Enovate's Response Pledge

- A reply to all service requests, within 2 hours of their submittal during business hours.
- Service resolutions by the next business-day.



1152 Park Avenue
Murfreesboro, TN 37129
p. (888)909-8930 f. (615)896-8906

www.enovatemedical.com
support@enovatemedical.com

©2013 Enovate Medical LLC. All Rights Reserved